

MS 800

**TYRE CHANGER FOR SAFE MOUNTING
WITHOUT RIM CONTACT**

WDK-CERTIFIED



MS 800: Quick and reliable RFT and UHP tyre mounting



Leverless mounting tool SafeMount:

- Particularly tyre-friendly demounting by patented mounting finger
- Additional tyre protection via plastic roller behind the mounting tool
- New demounting finger for ultimate rim protection
- Quick switching between mounting and de-mounting fingers



Rim-friendly central clamping

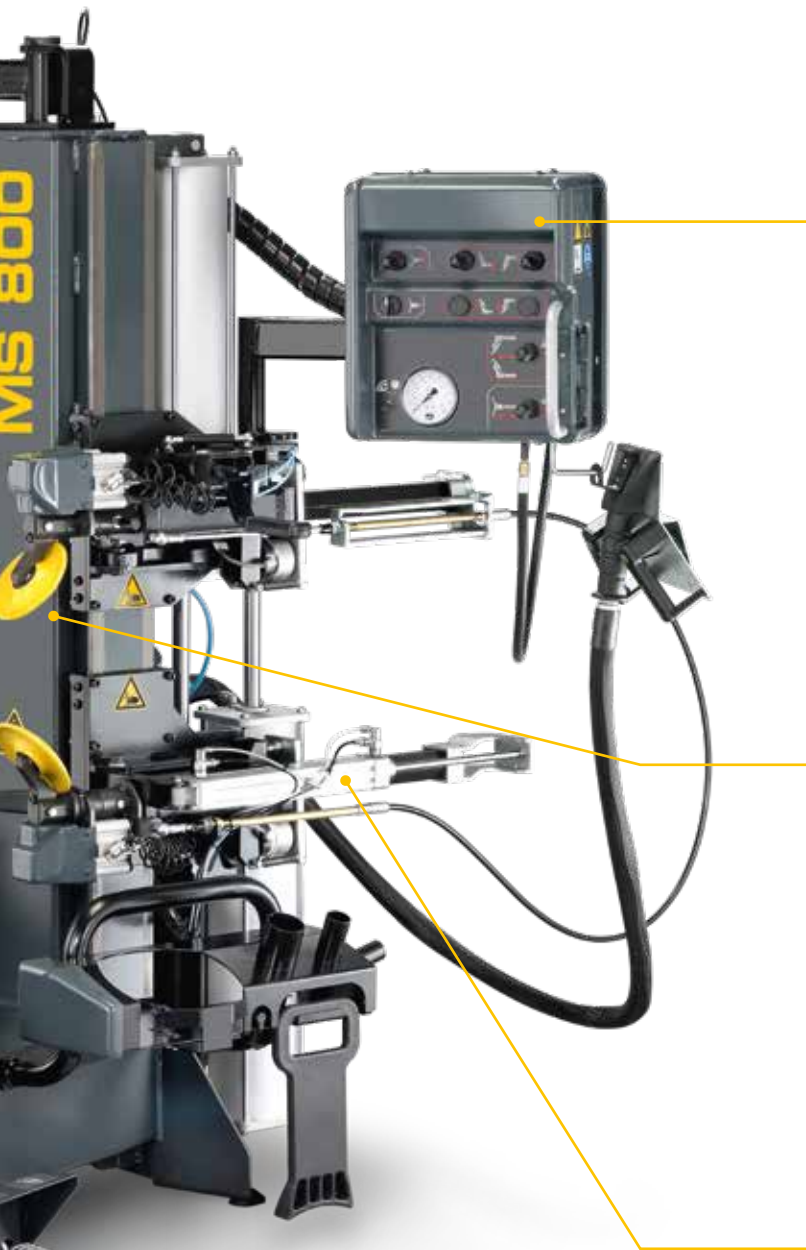
- Quick and safe clamping via central flange with quick lock
- Fully mechanical, easy to maintain
- Rim-friendly clamping of rims with a diameter of up to 32"



Integrated wheel lift:

- Standard for all MS 800
- Load capacity of up to 80 kg
- Ergonomic and easy on the operator's back





Ergonomic and adjustable control panel:

- Adjustable in height and orientation
- Protection of the tyre against unintentional button inputs
- Integrated manometer



Pneumatic auxiliary arm:

- New design for easy positioning between rim and tyre
- A must-have for safe mounting of RFT and UHP tyres
- Plastic protection prevents damaging



Full tyre control:

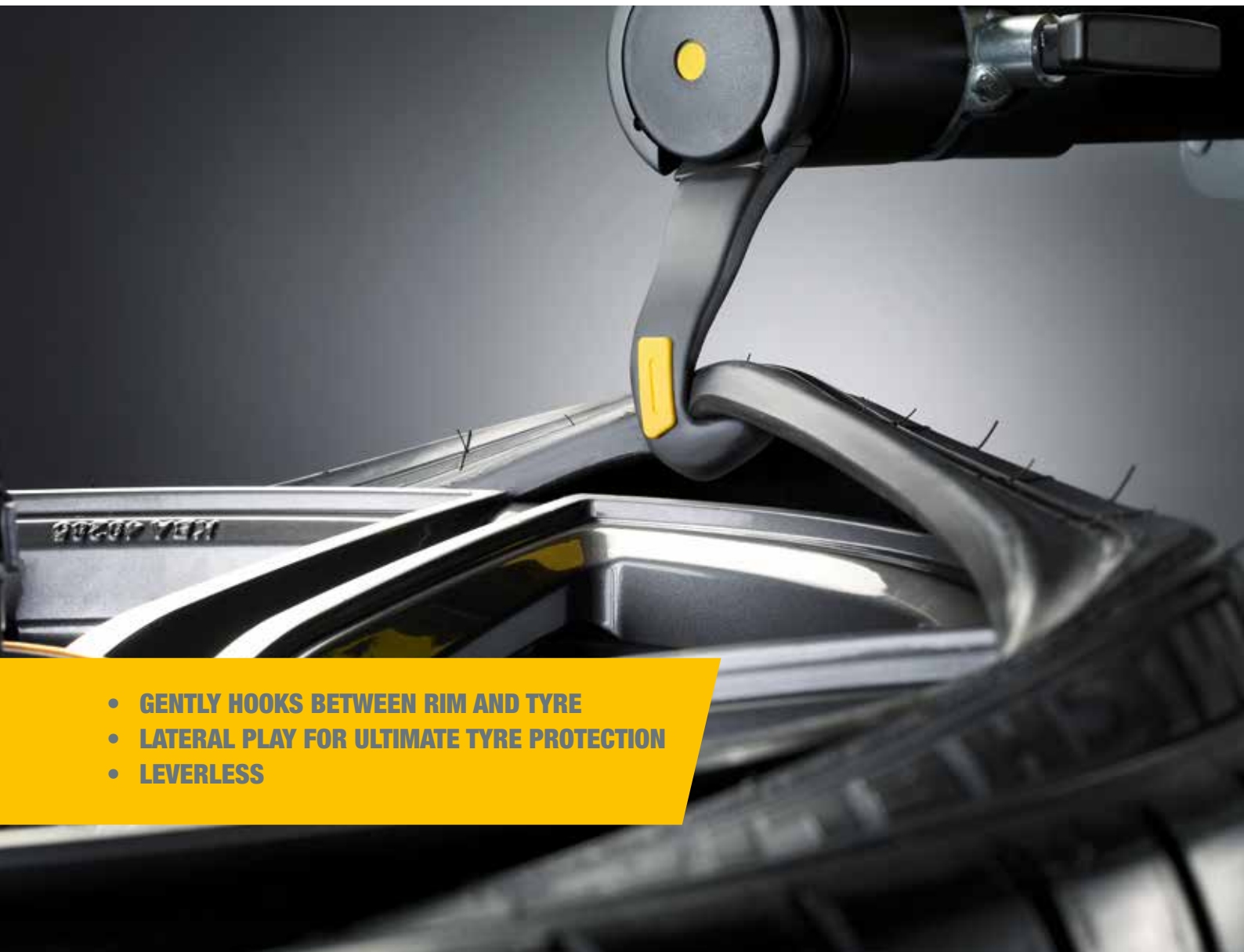
- Two different rotational speeds
- Tyre inflation via pedal system



Two synchronized bead breaker rollers:

- Easily and efficiently remove even the hardest tyres from the rim
- Synchronized movement allows quick processing
- Can be pivoted sideways to replace the tyre without losing the position
- Indentable bead breaker rollers to follow the rim profile
- Additional mounting finger for safe mounting of wide and hard tyres

MS 800: Patented mounting tool SafeMount



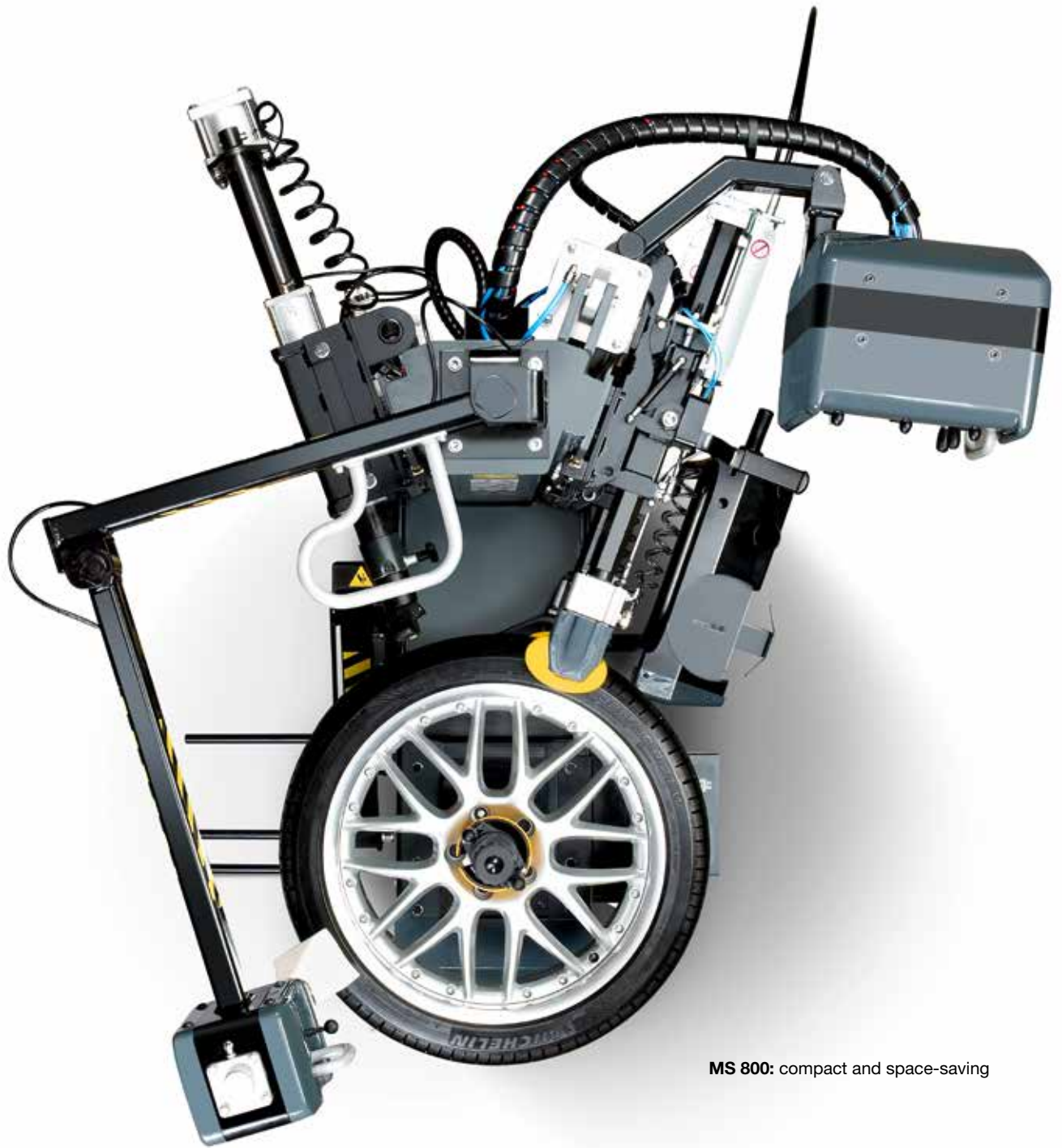
- GENTLY HOOKS BETWEEN RIM AND TYRE
- LATERAL PLAY FOR ULTIMATE TYRE PROTECTION
- LEVERLESS



MatchMount:

MatchMounting is the process of turning the tyre on the rim until their gravity centers are positioned at opposing ends. The forces acting at these gravity centers balance each other out and reduce overall radial runout of the wheel. This does not only help to solve persistent vibration issues but also reduces the number of balance weights required.

- Double bead breaker rollers turn the tyre on the rim
- Optimum positioning of the tyre on the rim
- Minimizes vibrations caused by radial run-out – detected by the MT ZERO 8 wheel balancer



MS 800: compact and space-saving



Inflation of tubeless tyres (optional)



Additional mounting help for easier assembly

Technical data and scope of delivery

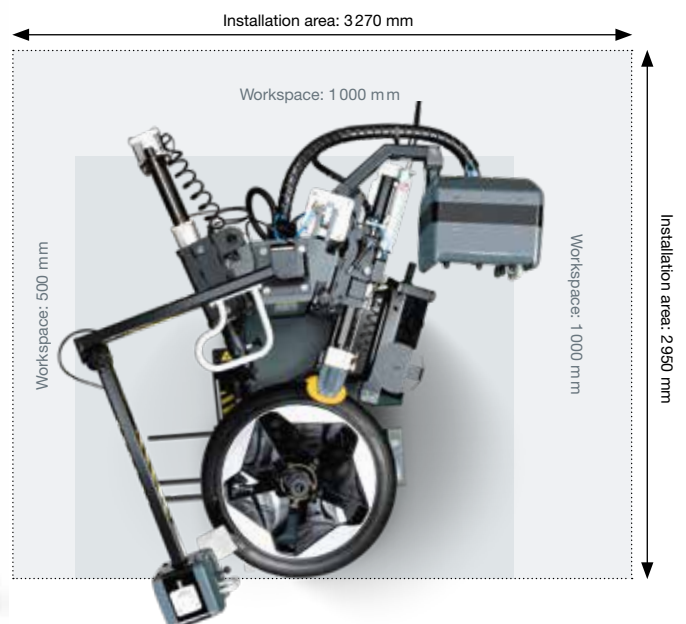
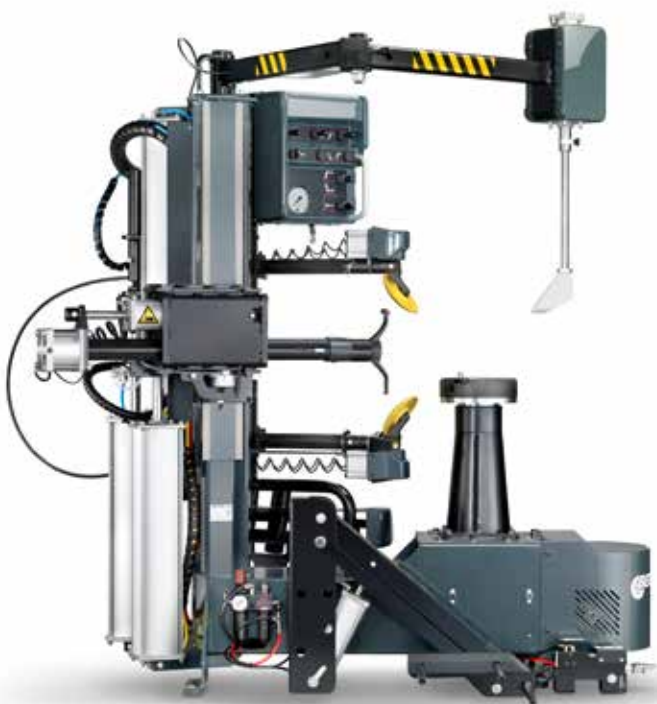
MS 800

Technical data:

Description	Data
Maximum wheel width	16"
Maximum wheel diameter	1200 mm
Maximum rim diameter	32"
Minimum rim diameter	13"
Maximum wheel weight	80 kg
Bead breaking range	max. 700 mm
Compressed air connection	8–10 bar
Weight	450 kg
Dimensions (L x W x H)	1770 x 1950 x 1370 mm
Power supply	230 V/1 Ph/50–60 Hz
Torque	1100 Nm
Number of mounting speeds	2
Force on bead breaker rollers	4000 N

Scope of delivery:

Description
MS 800
Brush
Plastic de-mounting lever
Quick release nut
Central locking pin
Quick mounting clamp
Bead presser
Plastic protection for mounting tool
Plastic protection for centering cone
Centering cone 41–118 mm with ring
Lever protection for wheel lift
WDK certified with WDK accessories



Optional accessories

MS 800



Bead presser for MS 800
Order number: 1 695 109 807



Bead pressing device, thin
Order number: 1 695 103 261



Bead pressing device, thick
Order number: 1 695 103 216



Plastic demounting lever
Order number: 1 695 107 027



**Blast Inflating System for tubeless
tyres | Booster | for MS 800**
Order number: 1 695 109 570



Inflation gun Eurodainu Michelin
Order number: 1 695 042 877



Plastic rim protection
Order number: 1 695 105 191



**Centering cone for MS 800
(mini | with Ring)**
Order number: 1 695 109 752



**Centering cone for MS 800
(Ø 42 – 78 mm | with ring)**
Order number: 1 695 109 755



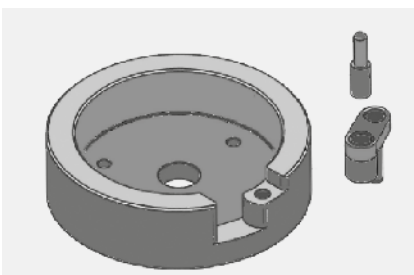
Clamping lever handle for ring cone
for MS 800 Order number: 1 695 109 754



Ring adapter unit for MS 800
Order number: 1 695 105 855



**Adapter kit for drop-center rims and
closed wheels for MS 800**
Order number: 1 695 109 760



Light truck adapter for MS 800
Order number: 1 695 109 766

MT ZERO 8:

Perfect combination with MS 800 for Premium Tyre Service

Touchless wheel recognition and balancing program selection

- 3 lasers mark the position of the weights
- Automatically selects the balancing program and weight position by independently recognizing the number of spokes and the type of rim.
- **MatchMount** identifies and eliminates vibrations caused by radial runout by optimally fitting the tyre on the rim
- Automatic wheel positioning (ATP)
- Pneumatic flange
- 3 operators, 25+ menu languages
- Large, interactive 22" Touchscreen
- Touch function can also be used with gloves.
- **Airgo Lift:** Easy on the back when lifting heavy tyres



Tyre changer MS 800

Model name	Order number
MS 800 WDK	1 694 201 456

Beissbarth GmbH

Hanauer Str. 101 · 80993 München · Germany

Phone: +49-(0)89-14901-0

Fax: +49-(0)89-14901-246

sales@beissbarth.com