

TC47L PRO3

LEVERLESS TYRE CHANGER

BEISSBARTH

PREMIUM SERVICE

TC47L Pro3: Leverless passenger car tyre changer up to 27" for tyre shops



Turntable with automatic centering jaws

- Clamping range from 10–27 inches
- Duo cylinders for maximum clamping power
- Variable rotation speed: 0–16 rpm

High rigidity by design

- Full metal pedals
- Powerful tool arm
- Robust metal front cover

Full control with three pedals

- Pedal control for rotation, column tilting and clamping
- Removable pedal unit for easier maintenance



Leverless mounting finger

- Eliminates the need for lever
- Automatic tilting via pedal
- Quick vertical and horizontal arm movement
- Pneumatic locking

TCX.PRO3: Premium assistance column with compact design to handle hard UHP, run flat and larger tyres

- Premium bead roller pushes bead in drop center
- Premium bead pusher arm keeps bead in drop center
- Secondary 90° bead roller for pressing against upper or lower bead
- Premium rim pressing cone for easier external clamping
- Pneumatic locking of helper tools
- Independent control of bead roller and bead pusher for more control on tough assemblies

Powerful bead breaker side shovel

- Operated conveniently with lever instead of pedal
- Quick loosening of the bead
- Up to 17" tyre width
- Three-way adjustable blade
- Anti-skid rubber protection

Scope of delivery:

Description	TC47L Pro3
Order number	1 692 401 006
Inside clamping	12–27"
Outside clamping	10–24"
Max. wheel width	17" 423 mm
Max. wheel diameter	46" 1,170 mm
Turntable height	670 mm
Mounting paste holder	Up to 5 kg
Air supply	8–12 bar
Inflation	Pedal
Power	1,5 kW
Power supply	230 V 1 Ph 50–60 Hz
Rotation speed	8–16 rpm
WDK-approved	●
Assistance arm	TCX.Pro3
Bead roller	Premium
Bead pusher arm	Premium
Secondary 90° bead roller	Premium
Rim pressing cone	Premium
Locking function	●

Standard accessories	TC47L Pro3
Front head protection	5x
Rear head protection	2x
Cylinder protection	●
Power plug	●
Brush	●
Bead breaker protection	●
WDK RFT/UHP clamp	●
WDK rim protector	●
Plastic lever	●

Optional accessories:



Storage kit
Provides additional storage
Order number: 1 692 402 014



Blast Inflation
Quickly seats the bead with powerful air blast
Order number: 1 692 402 029

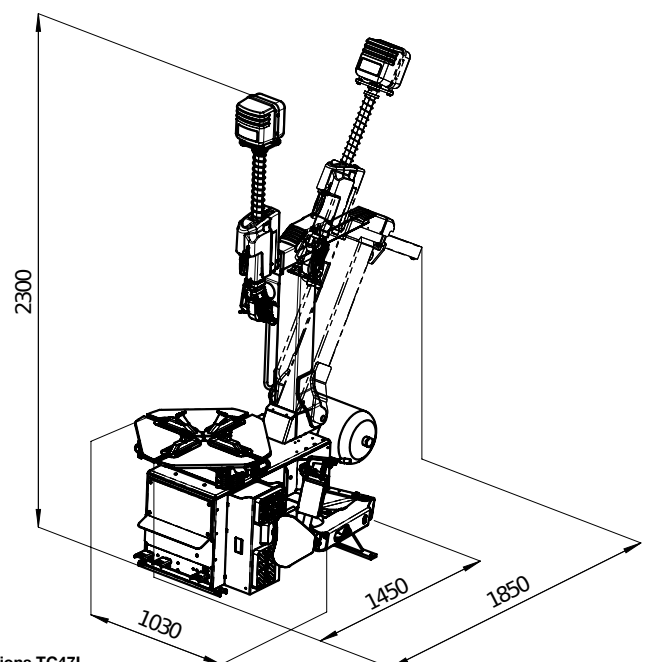
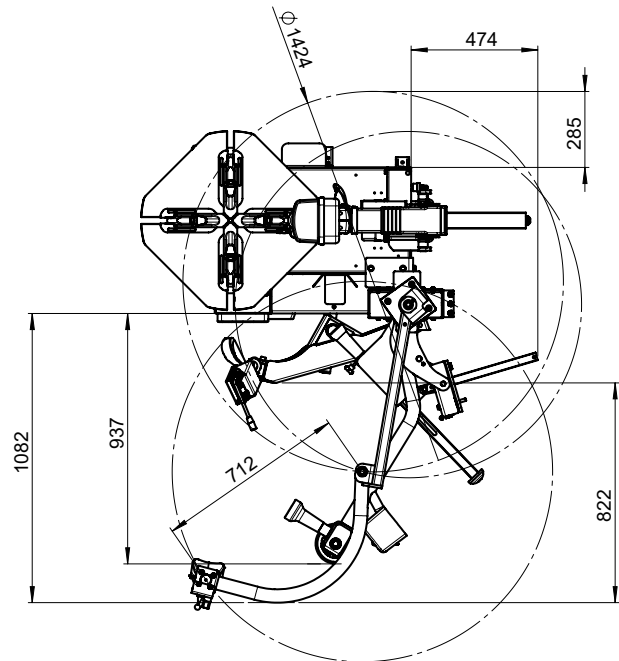


BeadLock Pro
Prevents hard tyres from rotating on the rim
Order number: 1 692 402 003



Roller board
Rotate wheels for bead breaking without lifting
Order number: 1 692 402 036

Working range TC47L Pro3



Dimensions TC47L