

# MS 630S - 650S



- 24" and 28" External Clamping
- G-Frame rigidity
- Revolutionary Ergo Control bead breaker system
- NG wheel lift

# MS 630S & MS 650S

The MS 630S and MS 650S models are pneumatic tilting back tyre changers for passenger cars, light commercial vehicles and motorcycles (with special accessories).

The 630S is equipped with a 24" (external clamping) turntable, while the 650S is equipped with a 28" turntable. Both are designed for high volume workshops and tire shops.

The extreme rigidity of the structure and the reduced pole flexing, characterized by the use of the redesigned G-frame Concept, make them the market reference standard with regard to strength and rigidity, even with UHP and RFT tyres.

Both models are equipped with the standard Ergo Control bead breaker system. The two-speed "moto-inverter" system provides the best combination of power and speed needed for efficient service.

The MS 650S is equipped with pneumatic lowering arm. The Tecnoroller NG and the NG wheel lift make work on UHP and RFT tyres faster and easier.



## MODELS:

- With or without the integrated tyre inflation system (IT)
- With or without Ergo Control (patented)
- With or without the Tire Leverless system (TLL)
- With or without Tecnoroller NG (model 624 only)
- Two control motors available (1Ph/3Ph)
- With or without pneumatic lowering of the vertical arm

## MODELS

	Motor 1*	Motor 2**	Tecnoroller NG	Inflation Technology IT	Ergo Control	Leverless
MS 630S	•	•				
MS 630 ITS	•	•		•		
MS 630 V1S	•	•	•			
MS 630 IT V1S	•	•	•	•		
MS 630 V5S	•	•			•	
MS 630 IT V5S	•	•		•	•	
MS 630 V6S	•	•	•		•	
MS 630 IT V6S	•	•	•	•	•	
MS 630 V8S	•	•	•		•	•
MS 630 IT V8S	•	•	•	•	•	•
MS 650 V1S	•	•	•			
MS 650 IT V1S	•	•	•	•		
MS 650 V6S	•	•	•		•	
MS 650 IT V6S	•	•	•	•	•	
MS 650 V8S	•	•	•		•	•
MS 650 IT V8S	•	•	•	•	•	•

\* Standard 3-phase motor

\*\* Single-phase motor with inverter

# ERGO CONTROL

(PATENTED)

## REVOLUTIONARY BEAD BREAKER SYSTEM

**Ergo Control** (patented) is a hand bead breaker system that lets you perform the beading of the tyre in an ergonomic working position, reducing time and effort while always remaining in a safe position.

**Ergonomic working position:** the Ergo Control system can be used for bead breaking instead of pedals.

**Increased safety:** the use of the bead breaker lever (patented) protects the operator's arm.

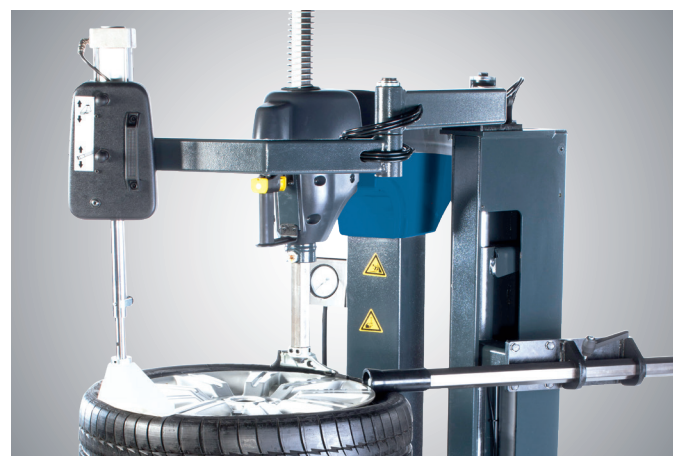
**Protection of wheel/rim and TPMS:** by using the lever that gives the operator maximum control and sensitivity.

**Intuitive, easy to use:** the movement of the blade can be guided with just one finger.



# TECNOROLLER NG

TECNOROLLER NG is a pneumatic device for the mounting and demounting of any type of tyre for passenger cars and light commercial vehicles. It is particularly recommended for UHP and RTF tyres. It is designed to be easy to use; the control panel is accessible from any working position and the elevated position of the articulated arm make all tyre bead operations easier.



# IT & TLL

## IT – INFLATION TECHNOLOGY

- Pedal inflation and deflation control system
- Tubeless inflating device integrated in the locking system which, thanks to the new lane design, guarantees greater air jet power

## TLL – TIRE LEVERLESS SYSTEM

The movement of the TTL allows to follow the profile of the rim facilitating the access of the tool and favoring a perfect extraction of the heel avoiding any effort on the part of the operator.



# SIDE LIFT NG

## THE STRENGTH, SAFETY AND INNOVATION OF THE G-FRAME DESIGN

The mounting/demounting head always remains at a safe distance from the rim, thus providing a risk-free tyre change.

- G-Frame design standard
- Mounting/demounting head with automatic clearance function
- Vertical mounting arm with rigid hexagonal profile
- Large diameter mounting post (140 x 140 mm) with pneumatic locking system



## NG WHEEL LIFT - SIMPLE AND EASY TO USE

All new tyre changer platforms can be upgraded with the new NG wheel lift which allows the operator to work in an ergonomic position. The NG wheel lift is mounted on the right side of the machine next to the bead breaker, greatly improving productivity. The wheel lift is also equipped with an built-in roller board which makes the bead breaking operations faster and easier.



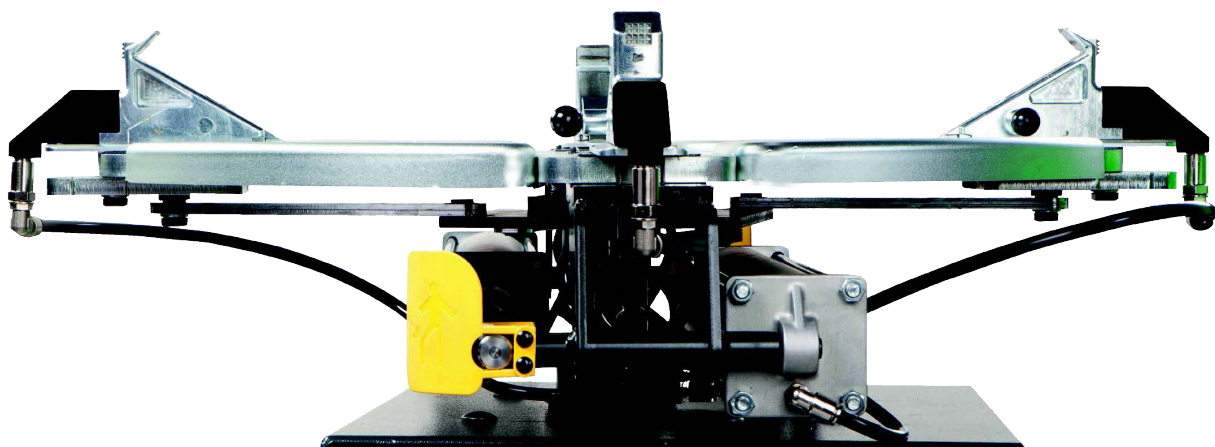
# ADVANTAGES

## CONVENIENT TYRE CHANGING

- Turntable with 4 clamping jaws
- Save time. Thanks to the new design, the plastic guards no longer need to be removed during the mounting/demounting of steel rims with internal locking.
- The new locking system and the solid base ensure maximum column and mounting head stability
- Universal lubricant stand that can be adjusted to adapt to different sized containers

## LESS EXERTION BY THE OPERATOR - INCREASED SPEED AND SAFETY!

- Greater flexibility and up to 40% faster than traditional devices
- Tyre inflation device up to 25% faster than traditional systems
- Faster wheel locking thanks to the more robust design and the measuring scale engraved on the turntable
- Bright yellow safety bumpers on the locking plate cylinders ("yellow fin") as visual indication and knee protector
- Just one simple movement is needed to fully extend the turntable
- Special treatment that protects against dust and rust (patented)



# PRODUCT DETAILS



**Effortless**  
Tyre positioning and locking of the mounting/demounting head

**Faster locking**  
Thanks to the new, more robust design of the turntable

**Fast**  
The two-speed turntable is pedal controlled

**Ease of use**  
The control panel can be accessed from any working position

**Extreme precision**  
The horizontal arm and the auxiliary arm allow the operations to be performed with precise control

**Ergonomic, easy to use**  
the movement of the blade can be guided with just one finger

**NEW and revolutionary Ergo Control\* (patented):**  
easy to use, maximum precision and safety

## MS 630S

- Suitable for wheels up to 1200 mm
- External tightening of rims up to 24"
- Wheel width up to 12,5"

## MS 650S

- Suitable for wheels up to 1200 mm
- External tightening of rims up to 28"
- Wheel width up to 15"

\* Available in some models only

# TECHNICAL DATA

APPLICATION RANGE	FALCO MS 630S	FALCO MS 650S
Max. wheel diameter	up to 1200 mm	up to 1200 mm
External clamping	10" – 24"	12" – 28"
Internal clamping	12" – 28"	13" – 32"
Rim width	3" – 12,5" 4" – 15" (V8)	3" – 15" 4" – 15" (V8)
Bead breaker range	70 – 397 mm	70 – 397 mm
Air connection	8 – 10 bar	8 – 10 bar
Max. dimensions (L x H x W)	1380 x 2110 x 1840 mm 1450 x 2295 x 2010 mm (V8)	1450 x 2350 x 2010 mm 1450 x 2295 x 2060 mm (V8)
Net weight	317 kg; 385 kg (V8)	360 kg; 385 kg (V8)
Bead breaking force	11500 N	11500 N
MOTOR 1 VARIANT		
Three-phase mains connection	3 Ph – 400 V 50 Hz	3 Ph – 400 V 50 Hz
Power draw	8 – 10,5 A	8 – 10,5 A
(torque control) 7/15 RPM	(2 speeds) 7/15 RPM	(2 speeds) 7/15 RPM
MOTOR 2 VARIANT WITH FREQUENCY CONVERTER		
Three-phase mains connection	1 Ph – 230 V (50 – 60 Hz)	1 Ph – 230 V (50 – 60 Hz)
Power draw	23 – 24 A	23 – 24 A
Rotation speed	(torque control) 7/15 RPM	(torque control) 7/15 RPM
STANDARD EQUIPMENT		
Tyre inflater (pedal-controlled)	•	•
Jaw plastic protection kit	•	•
5 mounting head protectors	•	•
Plastic guard for bead breaker tyre/rim protection	•	•
Protective wing for mounting/demounting head	•	•
Lubricant brush and bead lever	•	•
Roller board	optional	optional
Ergo Control	• (V5, V6, V8)	• (V6, V8)
Tecnoroller NG	• (V1, V6, V8)	•
TECNOROLLER NG		
Bead breaking force	5500 N (horizontal arm) 2500 N (auxiliary arm)	

## APPLICATION RANGE /

### WHEEL SIZES

- All rim types
- All types of passenger cars and light commercial vehicles
- Motorcycles (with special accessory kit)
- No need to re-position the clamping jaws or mounting post

### 2 SPEED TURNTABLE

- 3 Ph - 400 V (50 Hz): two speeds, clockwise and counter-clockwise
- 1 Ph - 230 V (50 - 60 Hz): MOTO-INVERTER SYSTEM the proper balance between power and speed

# Accessories



PN: 1695 108 055

Wheel press



PN: 1695 102 148

Jaw plastic protection kit



PN: 1695 101 608

Protective wing kit for mounting/  
demounting head



PN: 1695 102 725

Protective wing for mounting/  
demounting head



PN: 1695 106 152

Plastic guard for bead breaker tyre/  
rim protection



PN: 1695 105 191

Plastic protection for rim



PN: 1695 101 575

Motorbike/scooter adapter kit



PN: 1695 101 518

Bead breaking spacer for motorbike  
wheels



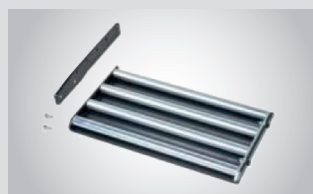
PN: 1695 103 210

Motorbike mounting/demounting  
head kit



PN: 1695 103 211

Plastic mounting/demounting head  
kit (with adapter)



PN: 1695 106 190

Roller board



PN: 1695 108 913

External tubeless inflating device



PN: 1695 903 403

Tecnoroller NG



PN: 1695 108 871

Mounting/demounting lever (WDK  
model)



PN: 1695 102 584

Accessory storage case



PN: 1695 103 261

Bead pressing device (thin)



PN: 1695 103 216

Bead pressing device (thick)



PN: 1695 107 469

NG wheel lift

Beissbarth GmbH  
Hanauer Straße 101  
80993 München  
Germany

Tel. +49-89-149 01-0  
Fax +49-89-149 01-240

www.beissbarth.com  
sales@beissbarth.com

