

Dialogannahme

# BD 6XX - ACCESSORIES

Version 2026.05.12 – Prices on request

## 4-point scale | retrofit kit for BD 620

*4-point weight cells as retrofit kit for automatic calculation of axle weight and total deceleration*

**Article number: 1691601057**

## Remote control

Already available in some of SW Kits, but also can be sold separately | incl. Battery

**Article number: 1691701018**



## USB-Converter Set Standard | for BD 620

*USB converter set for connection of BD 620 to existing PCs, BNet software incl. printer software, archiving software and order manager.*

**Article number: 1691601028**

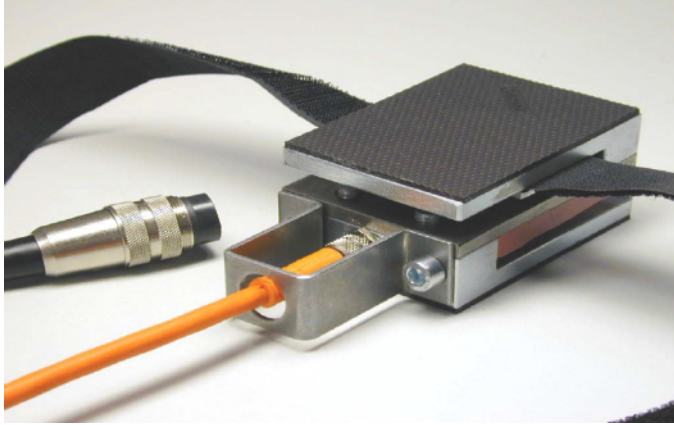
# BNet license key #3 (ASA-Netzwerk)

Article number: 1691708006

## Pedal force sensor | for BD620 | cable version

*Pedal force sensor for BD620 as cable version*

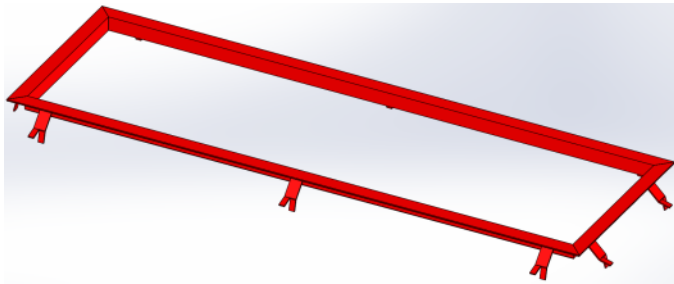
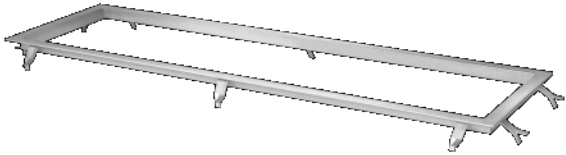
**Article number: 1691601020**



## Edge protection for car brake tester | 700 mm

Edge protection for single brake tester with 700 mm roller length

**Article number: 1691602000**



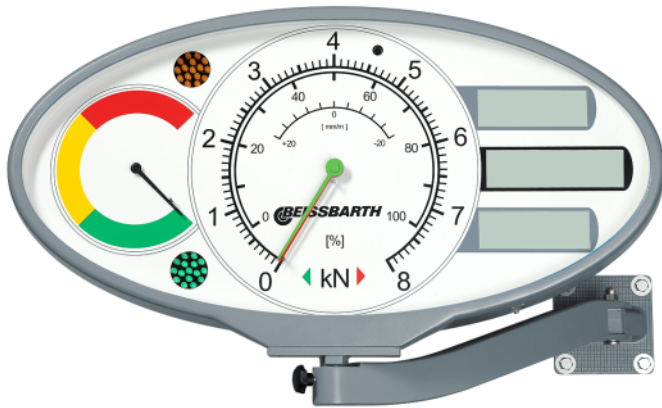
## Display RAL 7016 | analog, rectangular | LCD, swivel arm, IR receiver

Article number: 1691601762



## Display RAL 7040 | analog, oval | swivel arm, IR receiver

Article number: 1691601771



## IR receiver

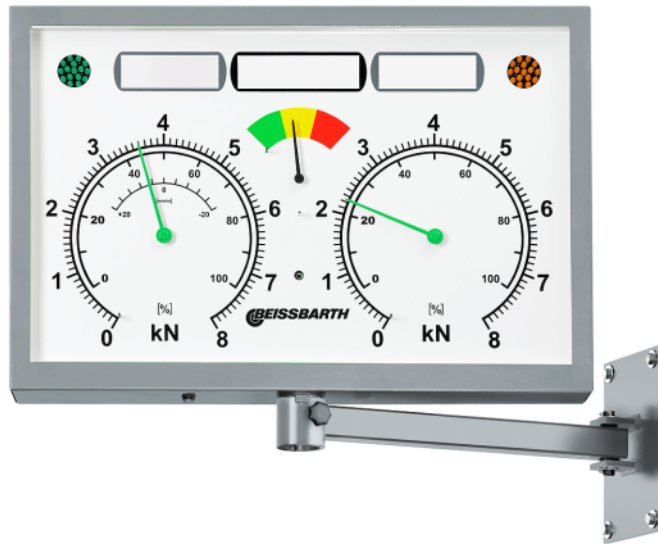
*Already available in some of SW Kits, but also can be sold separately*

**Article number: 1693770001**



## Display RAL 7040 | analog, rectangular | swivel arm, IR receiver

Article number: 1691601776



## Extension cable for receiver | 10 m

*Enabels flexibility of the IR receiver position (up to 10 m)*

**Article number: 1691603000**

## Remote control and IR Receiver

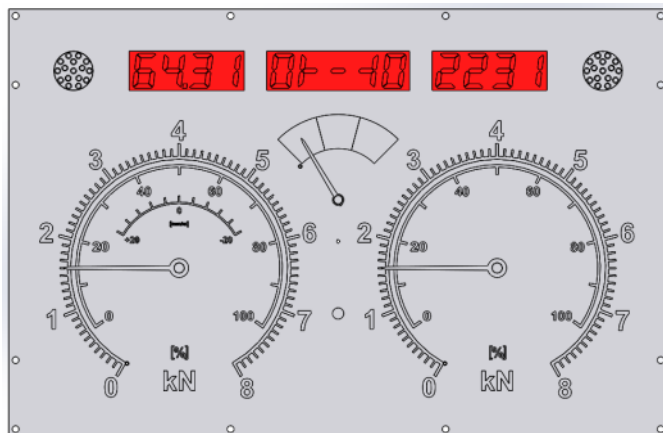
*incl. Battery*

**Article number: 1691701311**



## LCD Display set for upgrading analogue displays without an integrated LCD

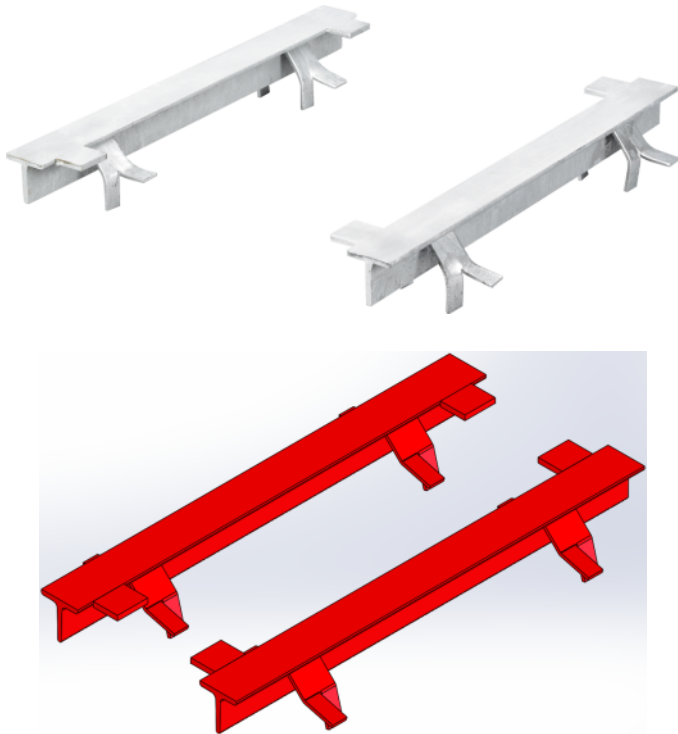
Article number: 1691601025



## Support strips for axle load scales | 2 pcs

*This solid support is used to adjust the screws of the axle load weighting sensors. Only required when brake tester is installed without inground frame.*

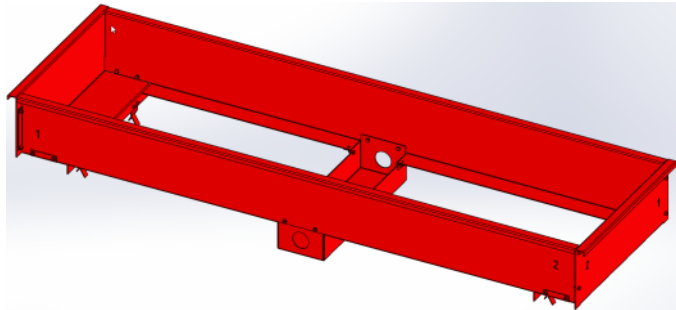
**Article number: 1691601009**



## Installation frame for car brake tester | 700 mm

*Installation frame for single brake tester with 700 mm roller length*

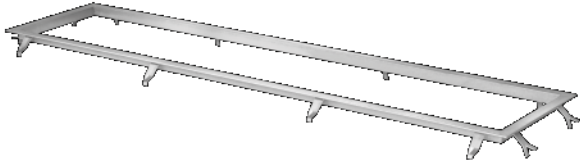
**Article number: 1691602115**



## Edge protection for car brake tester | 1000 mm

*Edge protection for single brake tester with 1000 mm roller length*

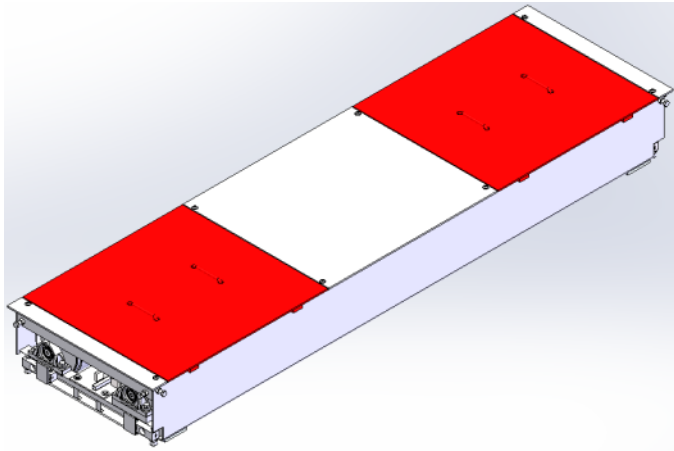
**Article number: 1691602151**



## Drive-over plate pluggable | 700 mm

*Pluggable drive-over plate for roller set with 700 mm (2 pices)*

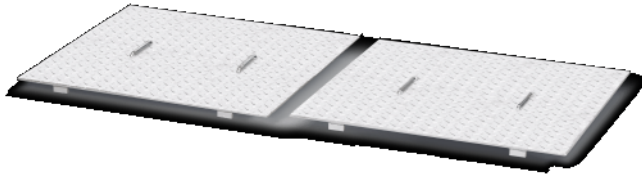
**Article number: 1691601010**



## Drive-over plate pluggable | 1000 mm

*Pluggable drive-over plate for roller set with 1000 mm (2 pieces)*

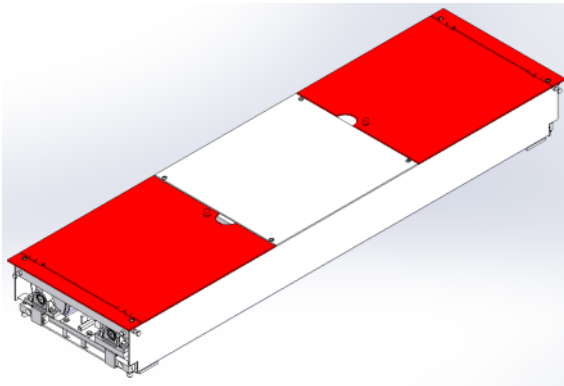
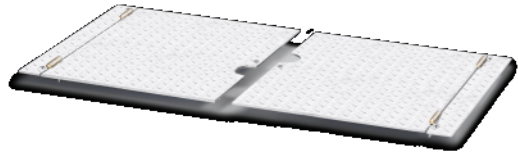
**Article number: 1691602112**



## Drive-over plate swiveling | 700 mm

Swiveling drive-over plate for roller set with 700 mm (2 pieces)

**Article number: 1691601011**



## PC cabinet Standard | empty

*Moving trolley enables the best arrangement and positioning of all PC components | Empty trolley! To add PC component you can additionally order 1 691 810 743.*

**Article number: 1691811250**



## Monitor holder 17 - 27"

*Includes only the monitor holder (Monitor not included)*

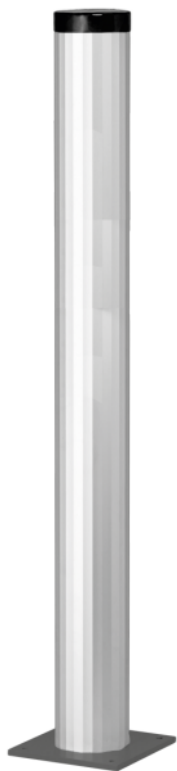
**Article number: 1693740884**



## Stand column aluminium | RAL 7016 | for TV Monitor / rectangular analog display

*Alternative to wall mounting, mounting solution for TV monitors or square analogue displays | TV adapter for stand column / swivel arm (item no. 1 691 810 722) is also required to attach a TV monitor!*

**Article number: 1691810722**



## PC gear pack for PC cabinet Standard

Full PC equipment | incl. PC, monitor, monitor holder, mouse, keyboard and printer

**Article number: 1691810743**



## PC For Test Lanes

Windows 10 IoT Enterprise LTSC 2021, 2x RS232, 8x USB, VGA, HDMI, 2x Display Port, LAN, 350Watt, Intel Pentium Gold G7400, 8GB DDR5-RAM, 512GB SSD

**Article number: 1691810703**



### System requirements when using your separate PC:

- Operating System: Windows 10, Windows 11 Professional
- Processor: Minimum Intel Pentium, 12th generation, 3 GHz
- Memory (RAM): Minimum 8 GB DDR5
- Storage: Minimum 512 GB SSD
- USB Ports: Minimum 6x
- Serial Port: Optional 1x (when using the infrared remote control)
- LAN Port: Minimum 1x

## BD 6xx - Accessories

### 4-point scale | retrofit kit for BD 620

Article number: 1691601057



### Remote control

Article number: 1691701018

### USB-Converter Set Standard | for BD 620

Article number: 1691601028

### BNet license key #3 (ASA-Netzwerk)

Article number: 1691708006



### Pedal force sensor | for BD620 | cable version

Article number: 1691601020



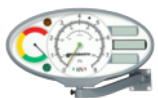
### Edge protection for car brake tester | 700 mm

Article number: 1691602000



### Display RAL 7016 | analog, rectangular | LCD, swivel arm, IR receiver

Article number: 1691601762



### Display RAL 7040 | analog, oval | swivel arm, IR receiver

Article number: 1691601771



### IR receiver

Article number: 1693770001



### Display RAL 7040 | analog, rectangular | swivel arm, IR receiver

Article number: 1691601776

### Extension cable for receiver | 10 m

Article number: 1691603000



### Remote control and IR Receiver

Article number: 1691701311



### LCD Display set for upgrading analogue displays without an integrated LCD

Article number: 1691601025



### Support strips for axle load scales | 2 pcs

Article number: 1691601009



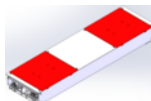
### Installation frame for car brake tester | 700 mm

Article number: 1691602115



### Edge protection for car brake tester | 1000 mm

Article number: 1691602151



### Drive-over plate pluggable | 700 mm

Article number: 1691601010



### Drive-over plate pluggable | 1000 mm

Article number: 1691602112



### Drive-over plate swiveling | 700 mm

Article number: 1691601011



### PC cabinet Standard | empty

Article number: 1691811250



### Monitor holder 17 - 27"

Article number: 1693740884



### Stand column aluminium | RAL 7016 | for TV Monitor / rectangular analog display

Article number: 1691810722



### PC gear pack for PC cabinet Standard

Article number: 1691810743



### PC For Test Lanes

Article number: 1691810703

# IMPORTANT NOTES

- Please notice: This list contains spare parts, too.
- Without instruction or assembly.
- Delivery ex works including packaging.

## VERSION 2026.05.12 – PRICES ON REQUEST

- Starting from now all previous lists will lose their validity.
- Please read our general terms and conditions in the latest version before ordering; to be found under [www.beissbarth.com](http://www.beissbarth.com).

**Order number** 1 693 602 008 **Print norm** BB XXX / XX.XX.2020 DE · Subject to technical and program changes, errors excepted.

### Beissbarth Automotive Testing Solutions GmbH

Friedrichshafener Str. 602  
82205 Gilching, Germany  
[sales@beissbarth.com](mailto:sales@beissbarth.com)  
[www.beissbarth.com](http://www.beissbarth.com)

Telefon: +49-(0)89-14901-0  
Telefax: +49-(0)89-14901-246

