

Dialogannahme

MLD 10 / 6XX / 8XX - ACCESSORIES

Version 2026.05.12 – Prices on request

Skoda Function | for MLD 815

Unlocks the Matrix and Kink (L-Shape) headlight option for Skoda vehicles on MLD815

Article number: 1692105289



Ford Matrix | for MLD 815

Unlocks the adjustment of Matrix headlights for Ford vehicles on MLD 815

Article number: 1692105288



Matrix 2 Upgrade | for MLD 815

Unlocks the Matrix 2 headlight option

Article number: 1692105269



- Unlocks the Matrix 2 headlight adjustment option

PC Software Iperform - Headlight

Test results via WLAN with quick and aptly arranged results on the PC

Article number: 1692105145



- Displaying of the cut-off line on the PC monitor or TFT screen
- Data transfer to PC via Bluetooth®
- User interface simplifies intuitive use
- Database function
- Printing and archiving
- Adjustment of the colour scheme by the user: Light/dark background depending on the lighting conditions
- Workshop Network Connectivity: Supports Bosch Connected Repair, ASA Network Compatibility is guaranteed

Alignment kit for alignment on the vehicle center line Ford requirement | for MLD 815

Exact alignment to the vehicle center line

Article number: 1692105180



- Exact alignment to the vehicle center line: with laser module and rear target post
- Designed for Ford vehicles with glare-free high beam, usable for all manufacturers vehicles to increase the precision
- Attached to the rear of the vehicle using magnets or suction cups
- Fine adjustment for exact positioning to the vehicle center
- High quality, highly visible, green vertical laser
- Low laser class - 1M

Note: Rail system is mandatory to use this alignment solution (Ford requirement)

Cover for headlight testing devices

Article number: 1692105079



- Dust protection
- Protection against direct sunlight

Height-measuring sensor | for MLD 6xx and 8xx

Automatic detection of the headlight installation height for MLD 6xx and 8xx

Article number: 1692105066



- Automatic detection of the headlight installation height
- Automatic display of the measured height value on the device display
- Installation height value is shown in the report

Note: for MLD 6xx and 8xx only

Rail kit 3.3 m

Rail kit for precise headlight adjustment for Mercedes-Benz workshops (3.3 m)

Article number: 1692105134



- Levelable rail system for above and inground installation
- Length: 3.3 meters. 2.5 meters length rail and 0.8 meters length extension
- Complies with the latest requirements placed on test areas in workshops: meets the requirements of vehicle manufacturers as well as the requirements of the general-inspection headlight-test directive
- Height differences of up to 30 mm can be compensated together with the headlight aiming device trolley
- Long lifetime
- High-quality, robust processing
- Precisely guided steel wheels: for precise measurements and adjustments, a one-time alignment with the vehicle is sufficient (time saving!)
- Steel wheels are included in scope of delivery
- Optional expandable (see accessories list)

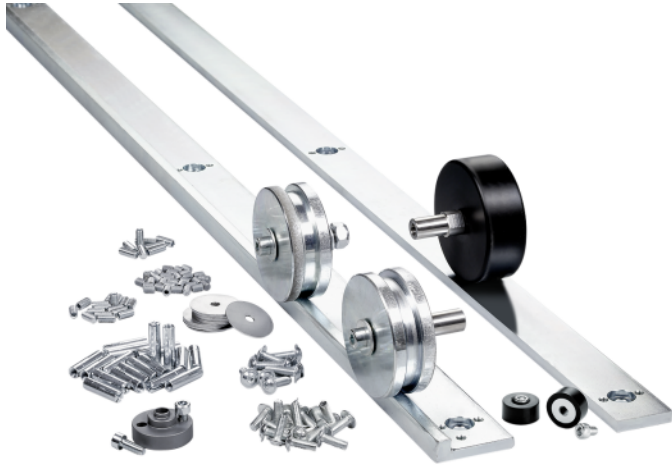
Wheelhub shell for rail system | MLD 10

Article number: 1692105188

Extension kit for rail kit | 1.5 m

Extension kit for rail base kit (3 m)

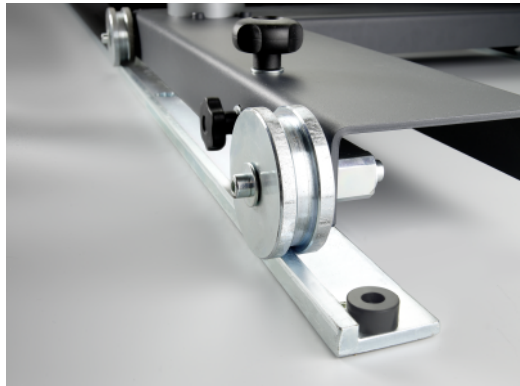
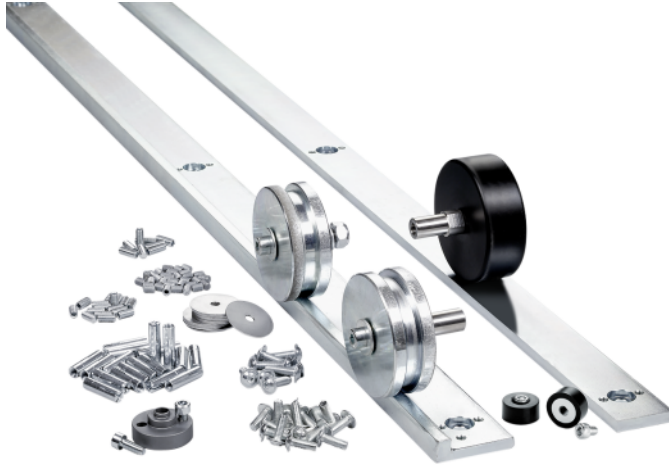
Article number: 1692105112



Rail kit 3 m

Rail kit for precise headlight adjustment (3 m)

Article number: 1692105080



- Levelable rail system for above and inground installation)
- Length: 3 meters
- Complies with the latest requirements placed on test areas in workshops: meets the requirements of vehicle manufacturers as well as the requirements of the general-inspection headlight-test directive
- Height differences of up to 30 mm can be compensated together with the headlight aiming device trolley
- Long lifetime
- High-quality, robust processing
- Precisely guided steel wheels: for precise measurements and adjustments, a one-time alignment with the vehicle is sufficient (time saving!)
- Steel wheels are included in scope of delivery
- Optional expandable to 4.5 m (see accessories list)

MLD 10 / 6xx / 8xx - Accessories



Skoda Function | for MLD 815

Article number: 1692105289



Ford Matrix | for MLD 815

Article number: 1692105288



Matrix 2 Upgrade | for MLD 815

Article number: 1692105269



PC Software Iperform - Headlight

Article number: 1692105145



Alignment kit for alignment on the vehicle center line Ford requirement | for MLD 815

Article number: 1692105180



Cover for headlight testing devices

Article number: 1692105079



Height-messuring sensor | for MLD 6xx and 8xx

Article number: 1692105066



Rail kit 3.3 m

Article number: 1692105134

Wheelhub shell for rail system | MLD 10

Article number: 1692105188



Extension kit for rail kit | 1.5 m

Article number: 1692105112



Rail kit 3 m

Article number: 1692105080

IMPORTANT NOTES

- Please notice: This list contains spare parts, too.
- Without instruction or assembly.
- Delivery ex works including packaging.

VERSION 2026.05.12 – PRICES ON REQUEST

- Starting from now all previous lists will lose their validity.
- Please read our general terms and conditions in the latest version before ordering; to be found under www.beissbarth.com.

Order number 1 693 602 008 **Print norm** BB XXX / XX.XX.2020 DE · Subject to technical and program changes, errors excepted.

Beissbarth Automotive Testing Solutions GmbH

Friedrichshafener Str. 602
82205 Gilching, Germany
sales@beissbarth.com
www.beissbarth.com

Telefon: +49-(0)89-14901-0
Telefax: +49-(0)89-14901-246

