

Dialogannahme

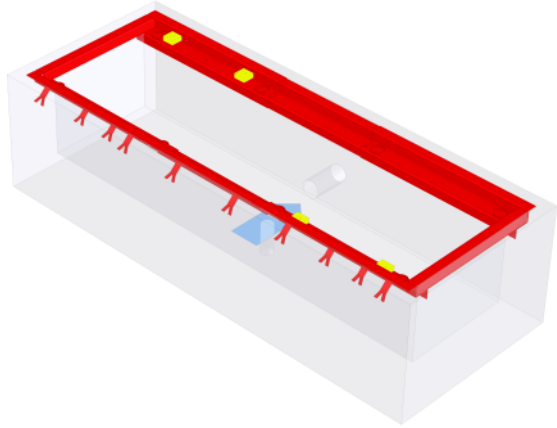
BD 8000 - ACCESSORIES

Version 2026.05.12 – Prices on request

Built-in frame BD 8xxx / 1300 mm | track width 3200 mm | non-separated (w/o pit)

For track width 3200 mm

Article number: 1691810766



Adaptation kit for Semmler Tachocontrol BD8xxx | 18 to

1 x sensing roller support for Semmler rolls, 1 x fixing light barrier

Article number: 1691810737



Adaptation kit for tachograph test with proximity switch BD8xxx | 18 to

1 x fixing light barrier

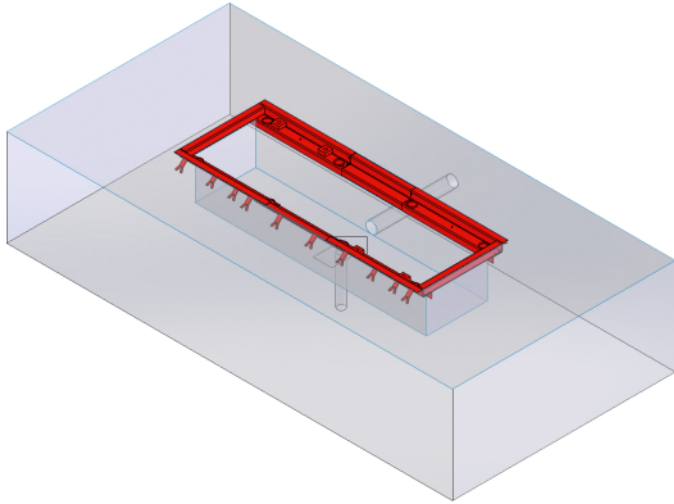
Article number: 1691810736



Built-in frame BD 8xxx / 1000/1100 mm | track width 3200 mm | non-separated (w/o pit)

For track width 3200 mm

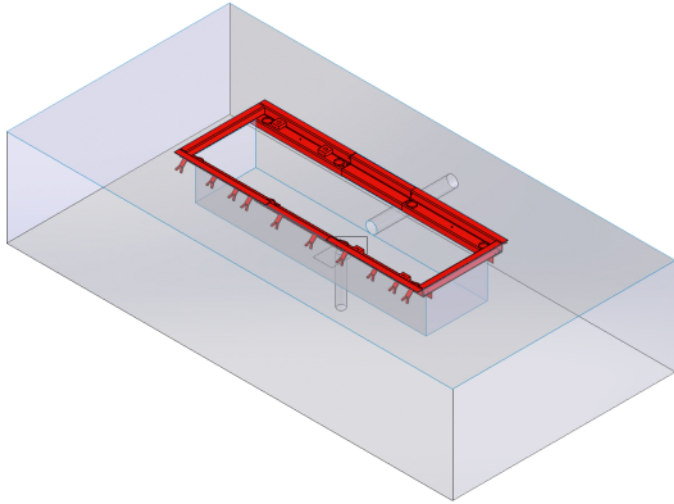
Article number: 1691810716



Built-in frame BD 8xxx / 1000/1100 mm | track width 3100 mm | non-separated (w/o pit)

For track width 3100 mm

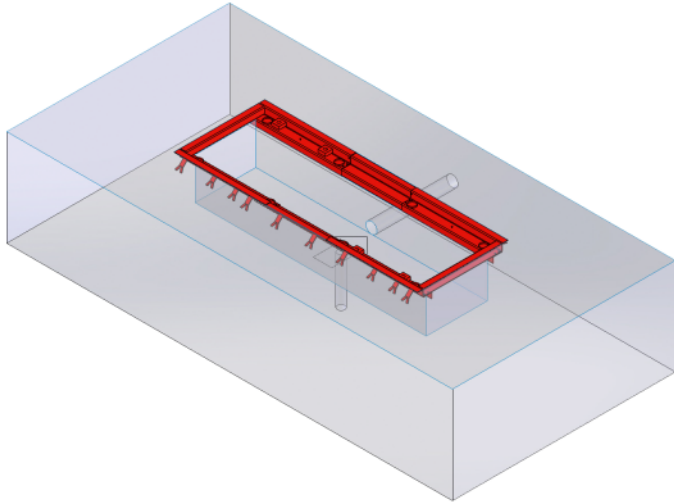
Article number: 1691810715



Built-in frame BD 8xxx / 1000/1100 mm | track width 3000 mm | non-separated (w/o pit)

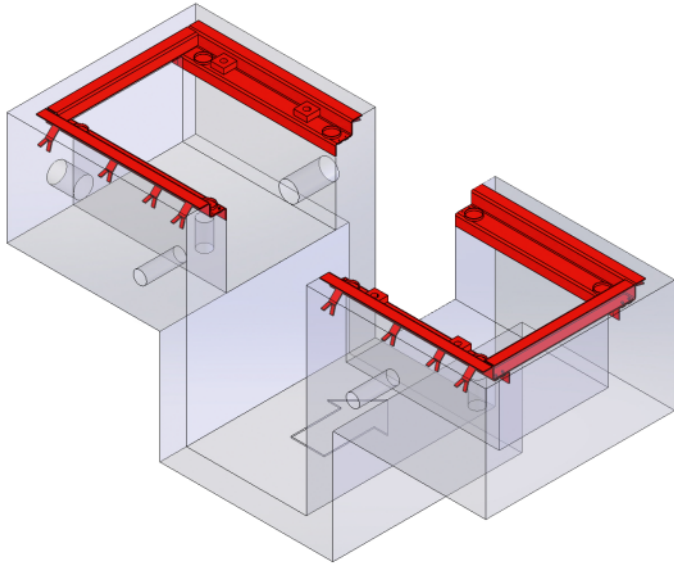
For track width 3000 mm

Article number: 1691810714



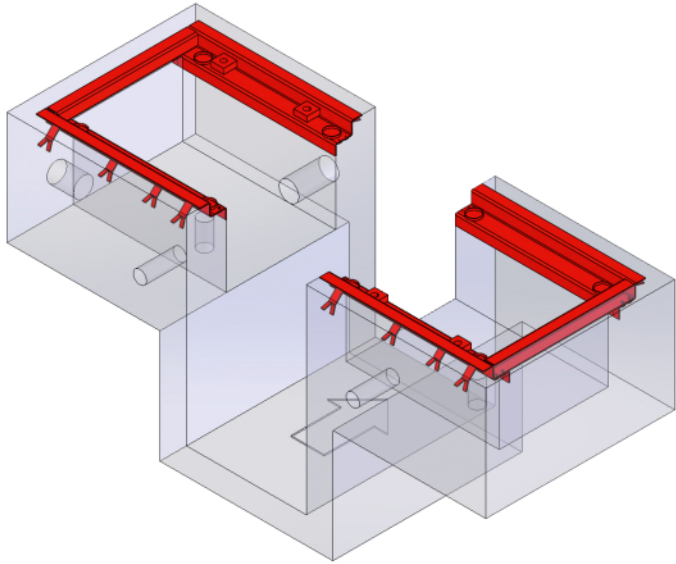
Built-in frame BD 8xxx / 1000 mm / 18 to | separated, with pit

Article number: 1691810713



Built-in frame BD 8xxx / 1100 mm | separated, with pit

Article number: 1691810762



Kit 4x drive-over plates | BD6xxx & BD8xxx | 1000mm & 1100mm

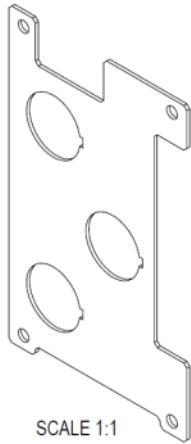
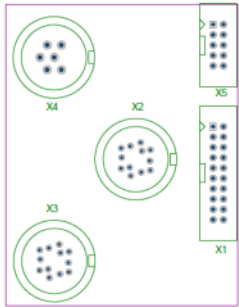
Article number: 1691810717



Kit Interface for MB 8xxx | Upgrade to new generation

For upgrading from 8xxx to the new truck generation

Article number: 1691810759



Lift upgrade kit to NTG | Upgrade to new generation

For upgrading to the new truck generation when the installed unit is a MB 8200 with hydraulic lifting device

Article number: 1691810761

Kit Display NTG | Upgrade to new generation

For upgrading to the new truck generation when the installed brake tester has an analogue display that will continue to be used

Article number: 1691810760

Speedsensor for MB 8x00 with 1000 mm rollers

For upgrading to the new truck generation when the installed brake tester does not have speed sensors yet

Article number: 1691811484

Speedsensor for MB 8x00 with 1100mm rollers

For upgrading to the new truck generation when the installed brake tester does not have speed sensors yet

Article number: 1691811485

USB-COM Converter | Upgrade to new generation

For upgrading to the new truck generation when the installed brake tester has wireless air pressure sensors

Article number: 1693770583

Remote Control for load simulation

Article number: 1691810701



Mounting bracket | Upgrade to new generation

For upgrading to the new truck generation when the installed brake tester has wireless air pressure sensors

Article number: 1691811712

Basic Set MRS 433 | Upgrade to new generation

For upgrading to the new truck generation when the installed brake tester has wireless air pressure sensors

Article number: 1691802107

Speedsensor for MB 8815

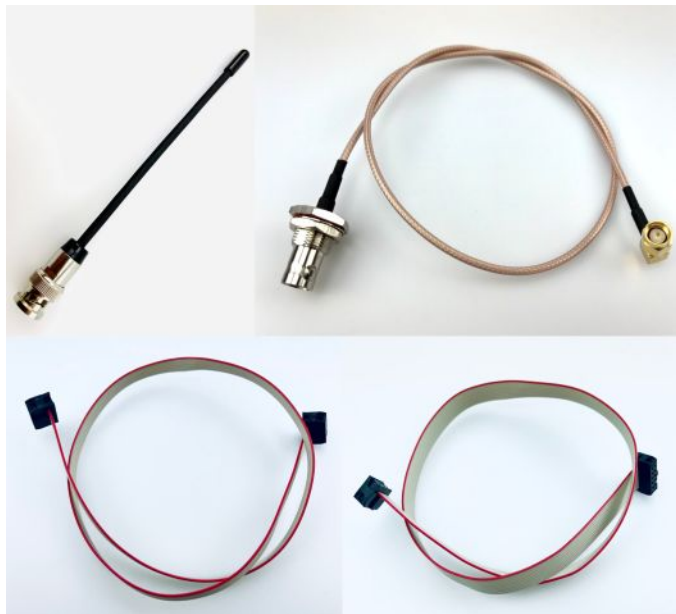
For upgrading to the new truck generation when the installed brake tester does not have speed sensors yet

Article number: 1691881023

ASA/APS3 wireless connection kit | Truck | 433Mhz

For integrating APS3 wireless pressure sensors directly into ASA livestream. Also allows the use of wireless APS3 pressure sensors and pedal force meters with older models of the MB 8815, MB 8100 or STL 9000 generation. Installed in the control cabinet to establish a wireless connection at 433 MHz.

Article number: 1693770673



Standard-Software Truck | ICperform

Each configuration requires a license

Article number: 1691810741



Tablet-App

Article number: 1691810756



System requirements:

- Operating system: Android ab 5.0
- Minimum size: 8"
- Recommended size: 9.6"
- Width-to-height ratio: 16:9 or 16:10
- Basic requirement: WLAN network with router

Pneumatic connection hose | Truck | APS 3

Spare part for connecting the APS3 pressure sensors. Length: 200 mm

Article number: 1693770663



Measurement range: 20 bar Length: 200 mm Length with fittings: 250 mm Connection 1: NW5 coupling Connection 2: Wing nut M16 × 1.5

Air pressure sensors | Truck | APS 3

Measurement of pneumatic pressure values in truck or trailer braking systems with wireless data transmission

Article number: 1693770658



APS 3: Truck air pressure sensors

- Measurement of pneumatic and hydraulic pressure values in truck or trailer braking systems
- Measurement of pedal forces on actuation of service or parking brake
- Radio transmission of the measured values to the brake tester control system

Compact and robust design for mobility uses

- Compact and robust design for daily use in the underbody of trucks
- Pneumatic quick-release coupling system for a simplified use
- Immediate sensor activation by removing it from the charging station
- Capable of using up to 10 sensors (PM, PX, Pedal)
- ICperform garage Truck Software can manage up to 6 axles (6 PX, 1 PM)
- All axles of a vehicle can be tested in one test cycle
- The receiver constantly requests the measured values of all the connected air pressure sensors
- RF receiver with USB connection for wireless data transfer to the brake tester control system
- Pneumatic 20 bar

IR Kit Truck

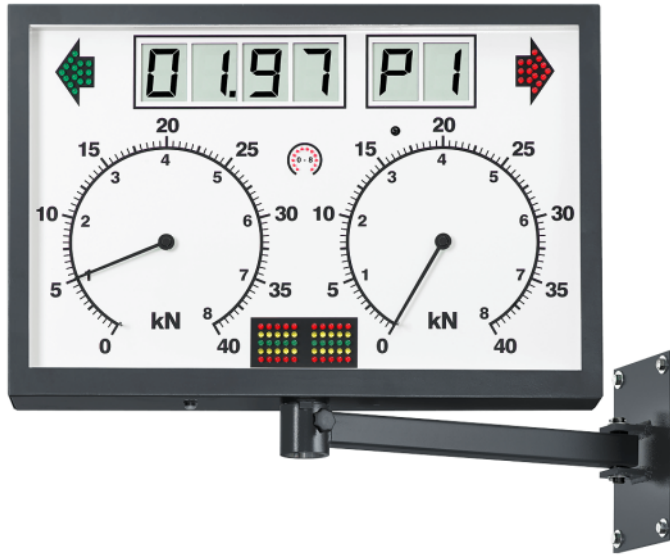
Receiver RS232, Remote Control, battery

Article number: 1691810702



Display RAL 7016 | analog, rectangular | LCD, swivel arm, IR receiver

Article number: 1691810750



Scope of delivery: Analog display incl. 30 m B-Net cable

IR remote control Truck

Article number: 1691810704



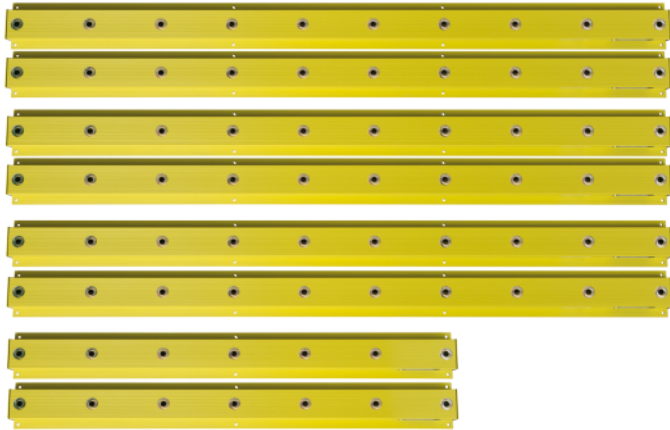
- Incl. battery

Alternatively, operation via tablet app is possible.

Pit safety PSC2 | cross | 1,5/2,5m

1.5 m safety area front roll sets and 2.5 m safety area behind roll sets

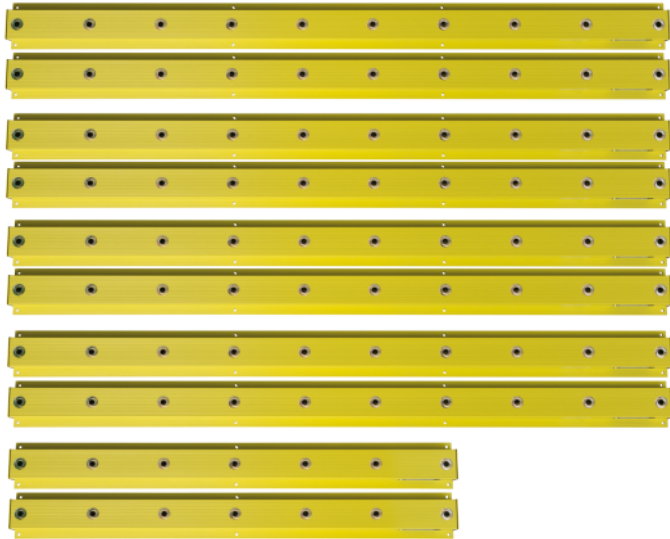
Article number: 1691810724



Pit safety PSC2 | cross | 2,5/2,5m

2.5 m safety area front and behind roll sets

Article number: 1691810725



Wired air pressure sensor APS1 | basic set - PM / PX1

Article number: 1691810733



Wired pedal force tester APS1 | PD

Article number: 1691810734



Warn-System for air pressure sensors

Article number: 1691810735



Air pressure sensor Px universal | for APS3

Single wireless air pressure sensor for expanding the APS3 to axles 3 to 6 or for replacing existing air pressure sensors PM, P1, or P2.

Article number: 1693770659

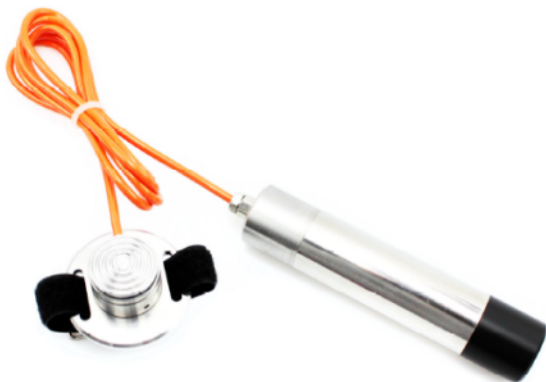


Single wireless air pressure sensor for expanding the APS3 to axles 3 to 6 or for replacing existing air pressure sensors PM, P1, or P2.

Pedal force meter | APS3

For wireless measurement of pedal force for the BD6 and BD8 truck brake testers. Requires the APS3 Starter Kit 1693770658.

Article number: 1693770662



Measuring range: 0 - 1000N
Resolution: 0.1N
Accuracy: 0.5% of full scale value
Weight: approx. 490g
Power supply: 12V DC
Connection cable: 2m
Radio: 433Mhz, range 30m
Battery: Li-Po with 700mAh

PC For Test Lanes

Windows 10 IoT Enterprise LTSC 2021, 2x RS232, 8x USB, VGA, HDMI, 2x Display Port, LAN, 350Watt, Intel Pentium Gold G7400, 8GB DDR5-RAM, 512GB SSD

Article number: 1691810703



System requirements when using your separate PC:

- Operating System: Windows 10, Windows 11 Professional
- Processor: Minimum Intel Pentium, 12th generation, 3 GHz
- Memory (RAM): Minimum 8 GB DDR5
- Storage: Minimum 512 GB SSD
- USB Ports: Minimum 6x
- Serial Port: Optional 1x (when using the infrared remote control)
- LAN Port: Minimum 1x

PC gear pack for PC cabinet Standard

Full PC equipment | incl. PC, monitor, monitor holder, mouse, keyboard and printer

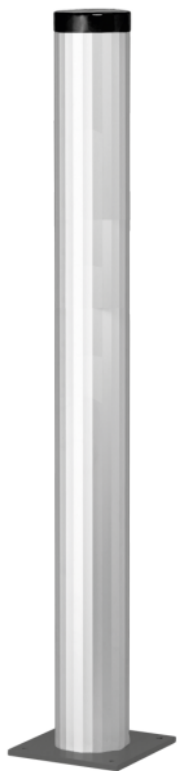
Article number: 1691810743



Stand column aluminium | RAL 7016 | for TV Monitor / rectangular analog display

Alternative to wall mounting, mounting solution for TV monitors or square analogue displays | TV adapter for stand column / swivel arm (item no. 1 691 810 722) is also required to attach a TV monitor!

Article number: 1691810722



Monitor holder 17 - 27"

Includes only the monitor holder (Monitor not included)

Article number: 1693740884



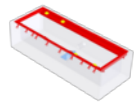
PC cabinet Standard | empty

Moving trolley enables the best arrangement and positioning of all PC components | Empty trolley! To add PC component you can additionally order 1 691 810 743.

Article number: 1691811250



BD 8000 - Accessories



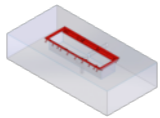
Built-in frame BD 8xxx / 1300 mm | track width 3200 mm | non-separated (w/o pit)
Article number: 1691810766



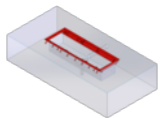
Adaptation kit for Semmler Tachocontrol BD8xxx | 18 to
Article number: 1691810737



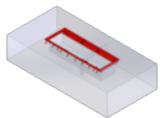
Adaptation kit for tachograph test with proximity switch BD8xxx | 18 to
Article number: 1691810736



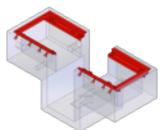
Built-in frame BD 8xxx / 1000/1100 mm | track width 3200 mm | non-separated (w/o pit)
Article number: 1691810716



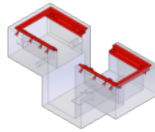
Built-in frame BD 8xxx / 1000/1100 mm | track width 3100 mm | non-separated (w/o pit)
Article number: 1691810715



Built-in frame BD 8xxx / 1000/1100 mm | track width 3000 mm | non-separated (w/o pit)
Article number: 1691810714



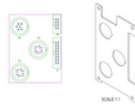
Built-in frame BD 8xxx / 1000 mm / 18 to | separated, with pit
Article number: 1691810713



Built-in frame BD 8xxx / 1100 mm | separated, with pit
Article number: 1691810762



Kit 4x drive-over plates | BD6xxx & BD8xxx | 1000mm & 1100mm
Article number: 1691810717



Kit Interface for MB 8xxx | Upgrade to new generation
Article number: 1691810759

Lift upgrade kit to NTG | Upgrade to new generation
Article number: 1691810761

Kit Display NTG | Upgrade to new generation
Article number: 1691810760

Speedsensor for MB 8x00 with 1000 mm rollers
Article number: 1691811484

Speedsensor for MB 8x00 with 1100mm rollers
Article number: 1691811485

USB-COM Converter | Upgrade to new generation
Article number: 1693770583



Remote Control for load simulation
Article number: 1691810701

Mounting bracket | Upgrade to new generation
Article number: 1691811712

Basic Set MRS 433 | Upgrade to new generation
Article number: 1691802107

Speedsensor for MB 8815
Article number: 1691881023



ASA/APS3 wireless connection kit | Truck | 433Mhz
Article number: 1693770673



Standard-Software Truck | ICperform
Article number: 1691810741



Tablet-App
Article number: 1691810756



Pneumatic connection hose | Truck | APS 3
Article number: 1693770663

**Air pressure sensors | Truck | APS 3**

Article number: 1693770658

**Warn-System for air pressure sensors**

Article number: 1691810735

**IR Kit Truck**

Article number: 1691810702

**Air pressure sensor Px universal | for APS3**

Article number: 1693770659

**Display RAL 7016 | analog, rectangular | LCD, swivel arm, IR receiver**

Article number: 1691810750

**Pedal force meter | APS3**

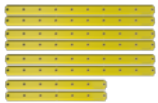
Article number: 1693770662

**IR remote control Truck**

Article number: 1691810704

**PC For Test Lanes**

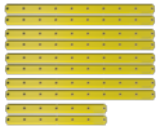
Article number: 1691810703

**Pit safety PSC2 | cross | 1,5/2,5m**

Article number: 1691810724

**PC gear pack for PC cabinet Standard**

Article number: 1691810743

**Pit safety PSC2 | cross | 2,5/2,5m**

Article number: 1691810725

**Stand column aluminium | RAL 7016 | for TV Monitor / rectangular analog display**

Article number: 1691810722

**Wired air pressure sensor APS1 | basic set - PM / PX1**

Article number: 1691810733

**Monitor holder 17 - 27"**

Article number: 1693740884

**Wired pedal force tester APS1 | PD**

Article number: 1691810734

**PC cabinet Standard | empty**

Article number: 1691811250

IMPORTANT NOTES

- Please notice: This list contains spare parts, too.
- Without instruction or assembly.
- Delivery ex works including packaging.

VERSION 2026.05.12 – PRICES ON REQUEST

- Starting from now all previous lists will lose their validity.
- Please read our general terms and conditions in the latest version before ordering; to be found under www.beissbarth.com.

Order number 1 693 602 008 **Print norm** BB XXX / XX.XX.2020 DE · Subject to technical and program changes, errors excepted.

Beissbarth Automotive Testing Solutions GmbH

Friedrichshafener Str. 602
82205 Gilching, Germany
sales@beissbarth.com
www.beissbarth.com

Telefon: +49-(0)89-14901-0
Telefax: +49-(0)89-14901-246

