

Dialogannahme

BD 7000

Version 2026.05.12 – Prices on request

8-point scale BD 7xxx / BD 8xxx

Article number: 1691810718



Depending on configuration already included.

Kit 4x drive-over plates | BD7xxx

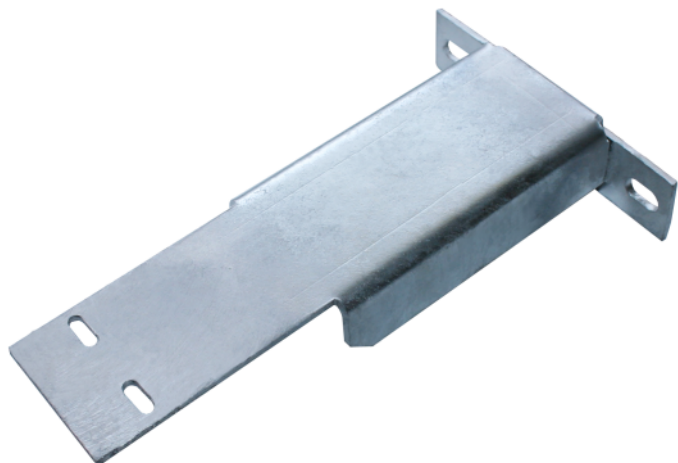
Article number: 1691880704



Adaptation kit for Semmler Tachocontrol BD7xxx | 13 to

1 x sensing roller support for Semmler rolls, 1 x fixing light barrier

Article number: 1691880706



Remote Control for load simulation

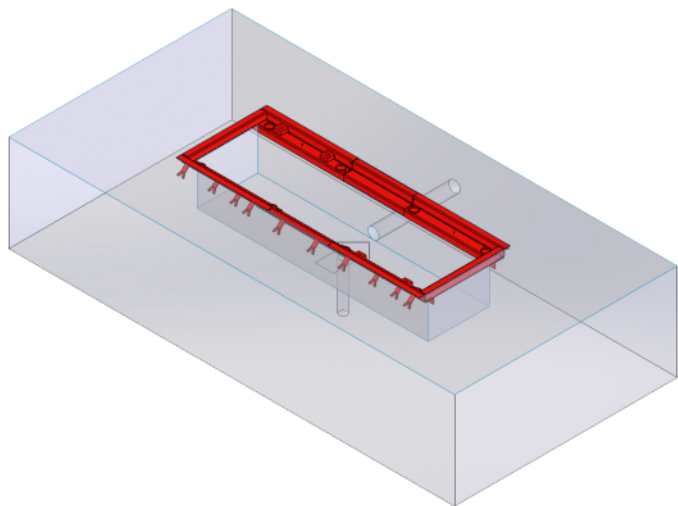
Article number: 1691810701



Built-in frame BD 7xxx / 1000 mm / 13 to | track width 2900 mm | non-separated (w/o pit)

For track width 2900 mm

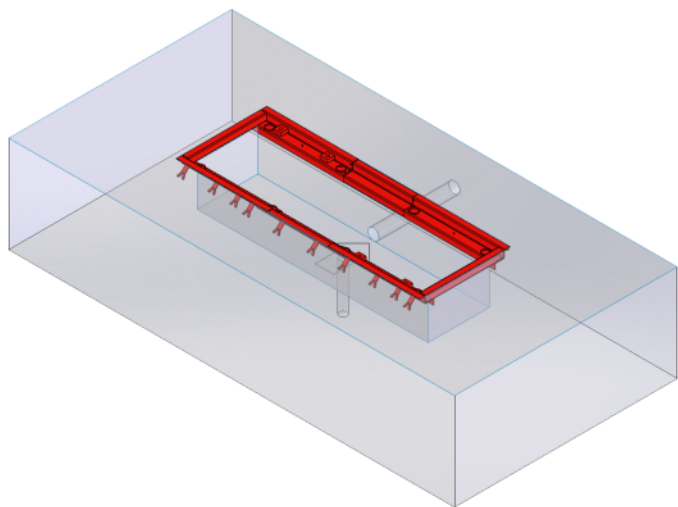
Article number: 1691880703



Built-in frame BD 7xxx / 1000 mm / 13 to | track width 2800 mm | non-separated (w/o pit)

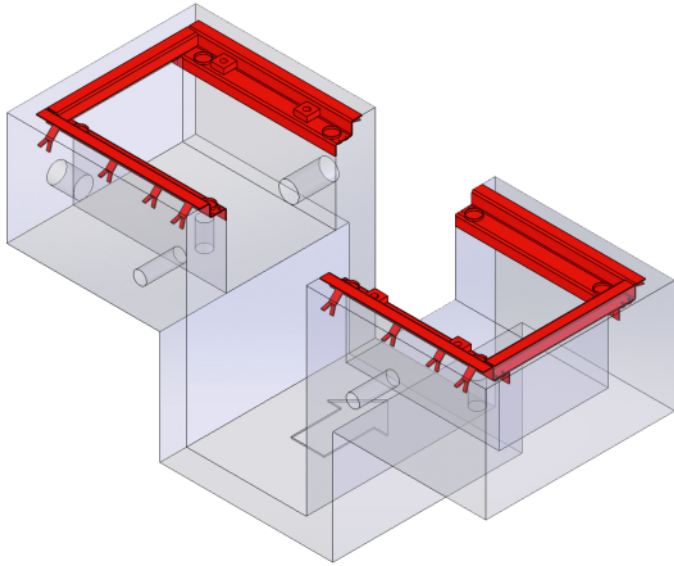
For track width 2800 mm

Article number: 1691880702



Built-in frame BD 7xxx / 1000 mm / 13 to | separated, with pit

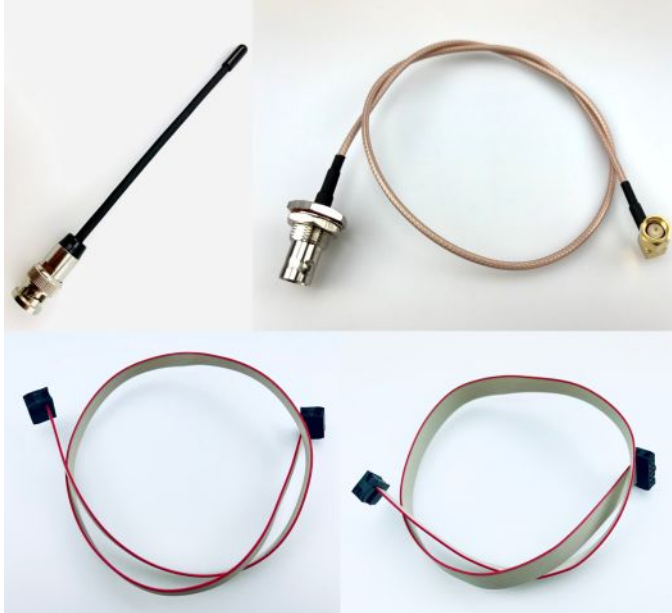
Article number: 1691880700



ASA/APS3 wireless connection kit | Truck | 433Mhz

For integrating APS3 wireless pressure sensors directly into ASA livestream. Also allows the use of wireless APS3 pressure sensors and pedal force meters with older models of the MB 8815, MB 8100 or STL 9000 generation. Installed in the control cabinet to establish a wireless connection at 433 MHz.

Article number: 1693770673



Standard-Software Truck | ICperform

Each configuration requires a license

Article number: 1691810741



Tablet-App

Article number: 1691810756



System requirements:

- Operating system: Android ab 5.0
- Minimum size: 8"
- Recommended size: 9.6"
- Width-to-height ratio: 16:9 or 16:10
- Basic requirement: WLAN network with router

Pneumatic connection hose | Truck | APS 3

Spare part for connecting the APS3 pressure sensors. Length: 200 mm

Article number: 1693770663



Measurement range: 20 bar Length: 200 mm Length with fittings: 250 mm Connection 1: NW5 coupling Connection 2: Wing nut M16 × 1.5

Air pressure sensors | Truck | APS 3

Measurement of pneumatic pressure values in truck or trailer braking systems with wireless data transmission

Article number: 1693770658



APS 3: Truck air pressure sensors

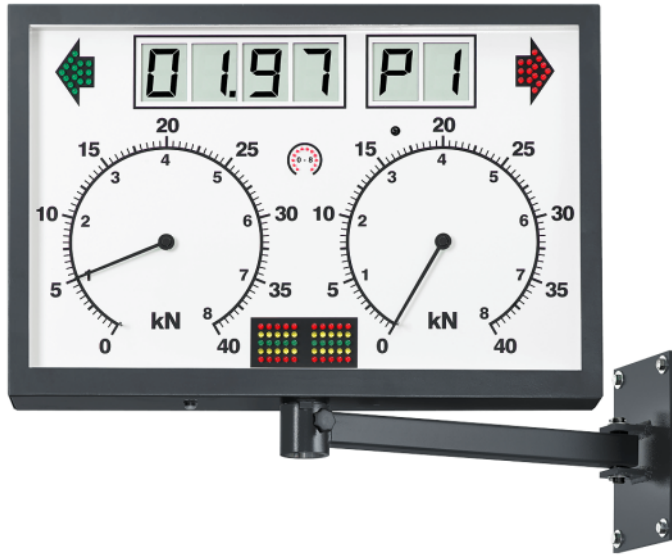
- Measurement of pneumatic and hydraulic pressure values in truck or trailer braking systems
- Measurement of pedal forces on actuation of service or parking brake
- Radio transmission of the measured values to the brake tester control system

Compact and robust design for mobility uses

- Compact and robust design for daily use in the underbody of trucks
- Pneumatic quick-release coupling system for a simplified use
- Immediate sensor activation by removing it from the charging station
- Capable of using up to 10 sensors (PM, PX, Pedal)
- ICperform garage Truck Software can manage up to 6 axles (6 PX, 1 PM)
- All axles of a vehicle can be tested in one test cycle
- The receiver constantly requests the measured values of all the connected air pressure sensors
- RF receiver with USB connection for wireless data transfer to the brake tester control system
- Pneumatic 20 bar

Display RAL 7016 | analog, rectangular | LCD, swivel arm, IR receiver

Article number: 1691810750



Scope of delivery: Analog display incl. 30 m B-Net cable

IR remote control Truck

Article number: 1691810704



- Incl. battery

Alternatively, operation via tablet app is possible.

IR Kit Truck

Receiver RS232, Remote Control, battery

Article number: 1691810702



Warn-System for air pressure sensors

Article number: 1691810735



Wired pedal force tester APS1 | PD

Article number: 1691810734



Wired air pressure sensor APS1 | basic set - PM / PX1

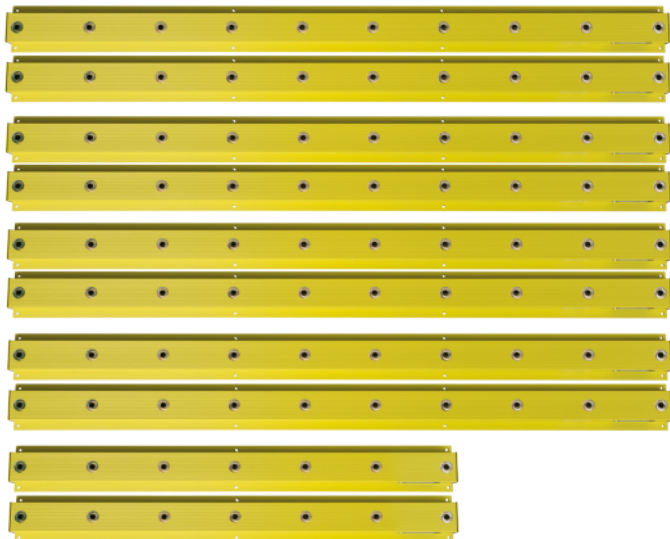
Article number: 1691810733



Pit safety PSC2 | cross | 2,5/2,5m

2.5 m safety area front and behind roll sets

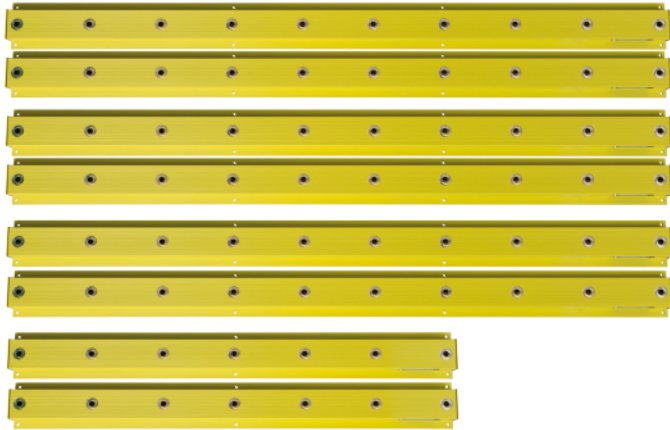
Article number: 1691810725



Pit safety PSC2 | cross | 1,5/2,5m

1.5 m safety area front roll sets and 2.5 m safety area behind roll sets

Article number: 1691810724



Air pressure sensor Px universal | for APS3

Single wireless air pressure sensor for expanding the APS3 to axles 3 to 6 or for replacing existing air pressure sensors PM, P1, or P2.

Article number: 1693770659

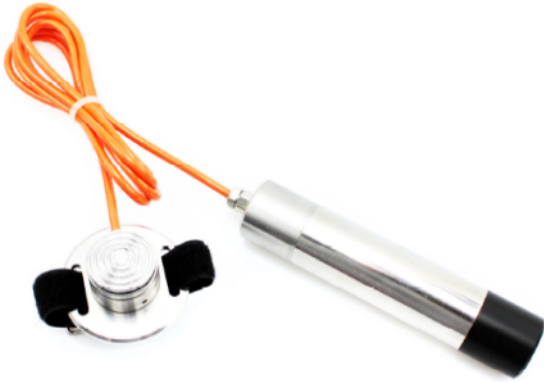


Single wireless air pressure sensor for expanding the APS3 to axles 3 to 6 or for replacing existing air pressure sensors PM, P1, or P2.

Pedal force meter | APS3

For wireless measurement of pedal force for the BD6 and BD8 truck brake testers. Requires the APS3 Starter Kit 1693770658.

Article number: 1693770662



Measuring range: 0 - 1000N
Resolution: 0.1N
Accuracy: 0.5% of full scale value
Weight: approx. 490g
Power supply: 12V DC
Connection cable: 2m
Radio: 433Mhz, range 30m
Battery: Li-Po with 700mAh

Monitor holder 17 - 27"

Includes only the monitor holder (Monitor not included)

Article number: 1693740884



PC cabinet Standard | empty

Moving trolley enables the best arrangement and positioning of all PC components | Empty trolley! To add PC component you can additionally order 1 691 810 743.

Article number: 1691811250



PC For Test Lanes

Windows 10 IoT Enterprise LTSC 2021, 2x RS232, 8x USB, VGA, HDMI, 2x Display Port, LAN, 350Watt, Intel Pentium Gold G7400, 8GB DDR5-RAM, 512GB SSD

Article number: 1691810703



System requirements when using your separate PC:

- Operating System: Windows 10, Windows 11 Professional
- Processor: Minimum Intel Pentium, 12th generation, 3 GHz
- Memory (RAM): Minimum 8 GB DDR5
- Storage: Minimum 512 GB SSD
- USB Ports: Minimum 6x
- Serial Port: Optional 1x (when using the infrared remote control)
- LAN Port: Minimum 1x

PC gear pack for PC cabinet Standard

Full PC equipment | incl. PC, monitor, monitor holder, mouse, keyboard and printer

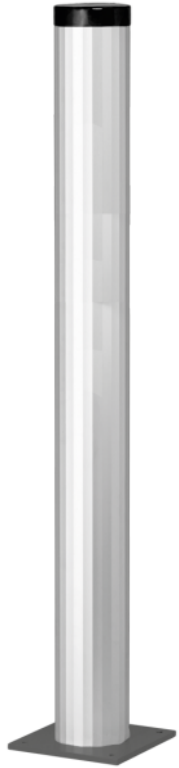
Article number: 1691810743



Stand column aluminium | RAL 7016 | for TV Monitor / rectangular analog display

Alternative to wall mounting, mounting solution for TV monitors or square analogue displays | TV adapter for stand column / swivel arm (item no. 1 691 810 722) is also required to attach a TV monitor!

Article number: 1691810722



BD 7000



8-point scale BD 7xxx / BD 8xxx

Article number: 1691810718



Kit 4x drive-over plates | BD7xxx

Article number: 1691880704



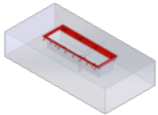
Adaptation kit for Semmler Tachocontrol BD7xxx | 13 to

Article number: 1691880706



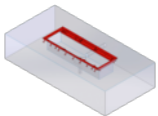
Remote Control for load simulation

Article number: 1691810701



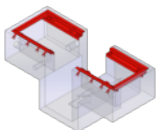
Built-in frame BD 7xxx / 1000 mm / 13 to | track width 2900 mm | non-separated (w/o pit)

Article number: 1691880703



Built-in frame BD 7xxx / 1000 mm / 13 to | track width 2800 mm | non-separated (w/o pit)

Article number: 1691880702



Built-in frame BD 7xxx / 1000 mm / 13 to | separated, with pit

Article number: 1691880700



ASA/APS3 wireless connection kit | Truck | 433Mhz

Article number: 1693770673



Standard-Software Truck | ICperform

Article number: 1691810741



Tablet-App

Article number: 1691810756



Pneumatic connection hose | Truck | APS 3

Article number: 1693770663



Air pressure sensors | Truck | APS 3

Article number: 1693770658



Display RAL 7016 | analog, rectangular | LCD, svivel arm, IR receiver

Article number: 1691810750



IR remote control Truck

Article number: 1691810704



IR Kit Truck

Article number: 1691810702



Warn-System for air pressure sensors

Article number: 1691810735



Wired pedal force tester APS1 | PD

Article number: 1691810734



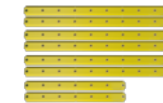
Wired air pressure sensor APS1 | basic set - PM / PX1

Article number: 1691810733



Pit safety PSC2 | cross | 2,5/2,5m

Article number: 1691810725



Pit safety PSC2 | cross | 1,5/2,5m

Article number: 1691810724



Air pressure sensor Px universal | for APS3

Article number: 1693770659



Pedal force meter | APS3

Article number: 1693770662

**Monitor holder 17 - 27"**

Article number: 1693740884

**PC cabinet Standard | empty**

Article number: 1691811250

**PC For Test Lanes**

Article number: 1691810703

**PC gear pack for PC cabinet Standard**

Article number: 1691810743

**Stand column aluminium | RAL 7016 | for TV
Monitor / rectangular analog display**

Article number: 1691810722

IMPORTANT NOTES

- Please notice: This list contains spare parts, too.
- Without instruction or assembly.
- Delivery ex works including packaging.

VERSION 2026.05.12 – PRICES ON REQUEST

- Starting from now all previous lists will lose their validity.
- Please read our general terms and conditions in the latest version before ordering; to be found under www.beissbarth.com.

Order number 1 693 602 008 **Print norm** BB XXX / XX.XX.2020 DE · Subject to technical and program changes, errors excepted.

Beissbarth Automotive Testing Solutions GmbH

Friedrichshafener Str. 602
82205 Gilching, Germany
sales@beissbarth.com
www.beissbarth.com

Telefon: +49-(0)89-14901-0
Telefax: +49-(0)89-14901-246

