

Dialogannahme

BD 6000

Version 2026.05.12 – Prices on request

Standard-Software Truck | ICperform

Each configuration requires a license

Article number: 1691810741



Adaptation kit for Semmler Tachocontrol BD6xxx | left

1 x sensing roller support for Semmler rolls, 1 x fixing light barrier

Article number: 1691811126



Axle weight 8-point scale | for BD 6xxx / MB 8x00

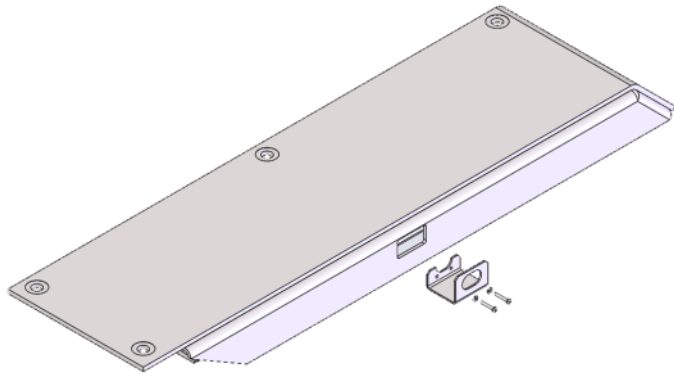
For upgrading to the new truck generation when the installed brake tester has no weight system sensors

Article number: 1691801012



Retrofit set for VDO tachograph test BD 6xxx | left

Article number: 1691811539



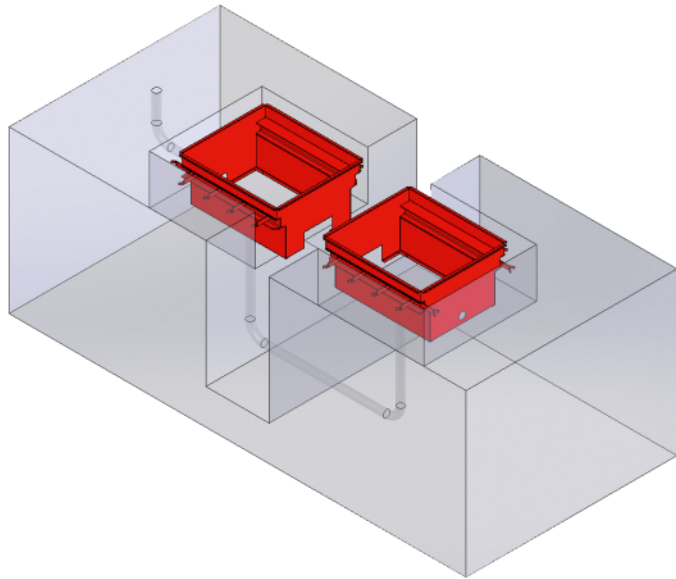
Axle weight upgrade from 4- to 8-point scale | for BD 6xxx / MB 8x00

For upgrading to the new truck generation when the installed brake tester has only 4-point weight system sensors

Article number: 1691812198

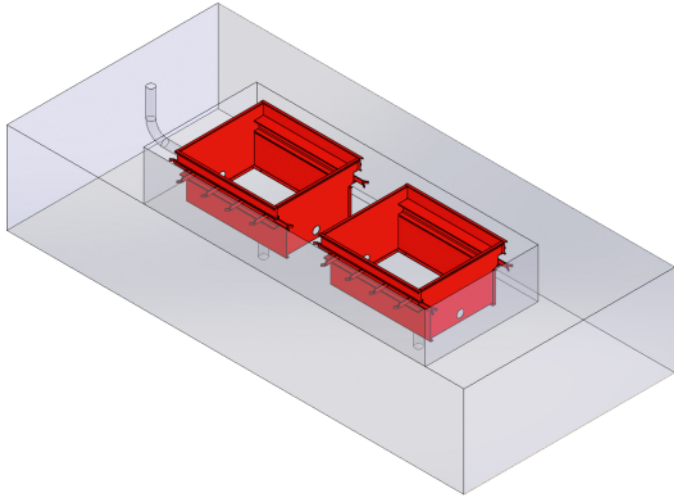
Assembling case BD 6xxx / 1100 mm | with pit

Article number: 1691811084



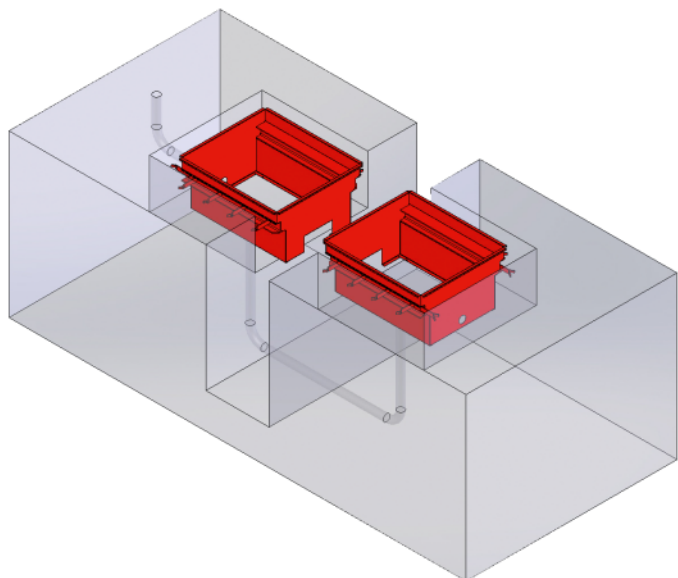
Assembling case BD 6xxx / 1100 mm | without pit

Article number: 1691811083



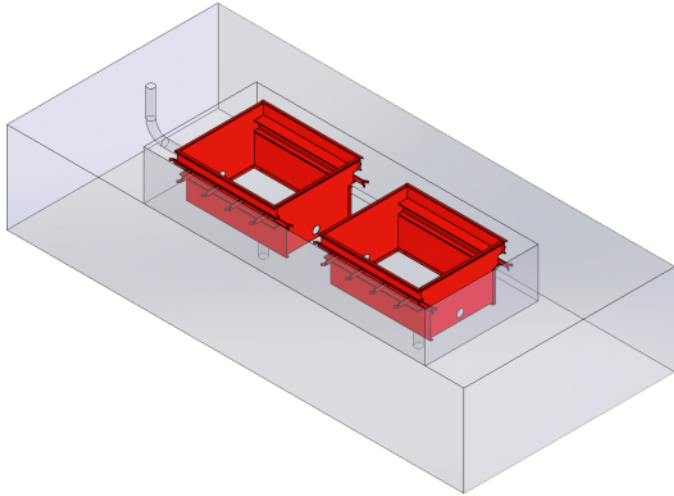
Assembling case BD 6xxx / 1000 mm | with pit

Article number: 1691811082



Assembling case BD 6xxx / 1000 mm | without pit

Article number: 1691811081



Kit 4x drive-over plates | BD6xxx & BD8xxx | 1000mm & 1100mm

Article number: 1691810717



Tablet-App

Article number: 1691810756



System requirements:

- Operating system: Android ab 5.0
- Minimum size: 8"
- Recommended size: 9.6"
- Width-to-height ratio: 16:9 or 16:10
- Basic requirement: WLAN network with router

Air pressure sensors | Truck | APS 3

Measurement of pneumatic pressure values in truck or trailer braking systems with wireless data transmission

Article number: 1693770658



APS 3: Truck air pressure sensors

- Measurement of pneumatic and hydraulic pressure values in truck or trailer braking systems
- Measurement of pedal forces on actuation of service or parking brake
- Radio transmission of the measured values to the brake tester control system

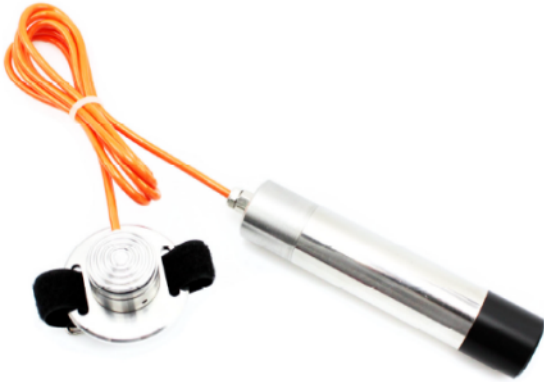
Compact and robust design for mobility uses

- Compact and robust design for daily use in the underbody of trucks
- Pneumatic quick-release coupling system for a simplified use
- Immediate sensor activation by removing it from the charging station
- Capable of using up to 10 sensors (PM, PX, Pedal)
- ICperform garage Truck Software can manage up to 6 axles (6 PX, 1 PM)
- All axles of a vehicle can be tested in one test cycle
- The receiver constantly requests the measured values of all the connected air pressure sensors
- RF receiver with USB connection for wireless data transfer to the brake tester control system
- Pneumatic 20 bar

Pedal force meter | APS3

For wireless measurement of pedal force for the BD6 and BD8 truck brake testers. Requires the APS3 Starter Kit 1693770658.

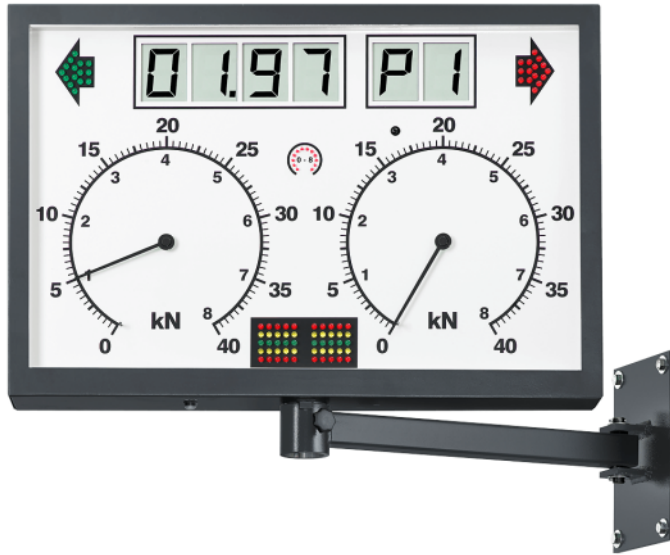
Article number: 1693770662



Measuring range: 0 - 1000N
Resolution: 0.1N
Accuracy: 0.5% of full scale value
Weight: approx. 490g
Power supply: 12V DC
Connection cable: 2m
Radio: 433Mhz, range 30m
Battery: Li-Po with 700mAh

Display RAL 7016 | analog, rectangular | LCD, swivel arm, IR receiver

Article number: 1691810750



Scope of delivery: Analog display incl. 30 m B-Net cable

Air pressure sensor Px universal | for APS3

Single wireless air pressure sensor for expanding the APS3 to axles 3 to 6 or for replacing existing air pressure sensors PM, P1, or P2.

Article number: 1693770659



Single wireless air pressure sensor for expanding the APS3 to axles 3 to 6 or for replacing existing air pressure sensors PM, P1, or P2.

Warn-System for air pressure sensors

Article number: 1691810735



Wired pedal force tester APS1 | PD

Article number: 1691810734



IR remote control Truck

Article number: 1691810704



- Incl. battery

Alternatively, operation via tablet app is possible.

IR Kit Truck

Receiver RS232, Remote Control, battery

Article number: 1691810702



Pneumatic connection hose | Truck | APS 3

Spare part for connecting the APS3 pressure sensors. Length: 200 mm

Article number: 1693770663

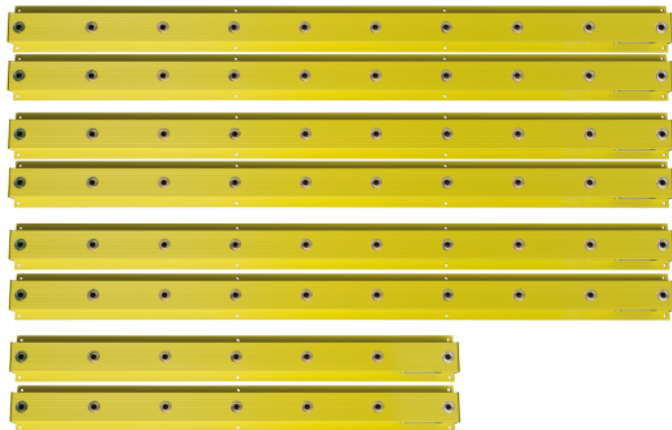


Measurement range: 20 bar Length: 200 mm Length with fittings: 250 mm Connection 1: NW5 coupling Connection 2: Wing nut M16 × 1.5

Pit safety PSC2 | cross | 1,5/2,5m

1.5 m safety area front roll sets and 2.5 m safety area behind roll sets

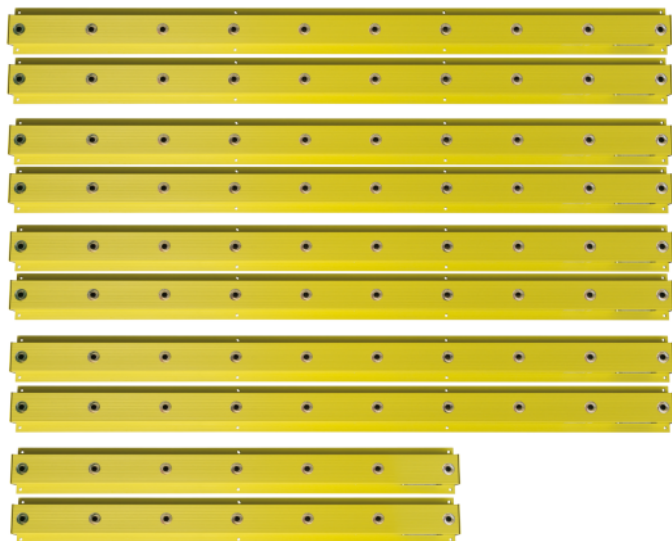
Article number: 1691810724



Pit safety PSC2 | cross | 2,5/2,5m

2.5 m safety area front and behind roll sets

Article number: 1691810725



Wired air pressure sensor APS1 | basic set - PM / PX1

Article number: 1691810733



Monitor holder 17 - 27"

Includes only the monitor holder (Monitor not included)

Article number: 1693740884



PC gear pack for PC cabinet Standard

Full PC equipment | incl. PC, monitor, monitor holder, mouse, keyboard and printer

Article number: 1691810743



PC For Test Lanes

Windows 10 IoT Enterprise LTSC 2021, 2x RS232, 8x USB, VGA, HDMI, 2x Display Port, LAN, 350Watt, Intel Pentium Gold G7400, 8GB DDR5-RAM, 512GB SSD

Article number: 1691810703



System requirements when using your separate PC:

- Operating System: Windows 10, Windows 11 Professional
- Processor: Minimum Intel Pentium, 12th generation, 3 GHz
- Memory (RAM): Minimum 8 GB DDR5
- Storage: Minimum 512 GB SSD
- USB Ports: Minimum 6x
- Serial Port: Optional 1x (when using the infrared remote control)
- LAN Port: Minimum 1x

PC cabinet Standard | empty

Moving trolley enables the best arrangement and positioning of all PC components | Empty trolley! To add PC component you can additionally order 1 691 810 743.

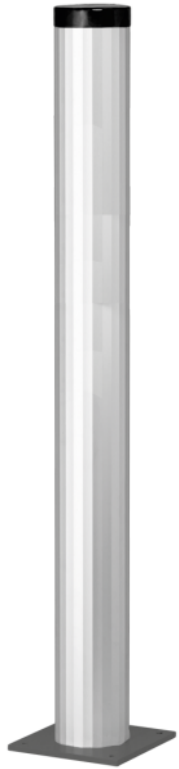
Article number: 1691811250



Stand column aluminium | RAL 7016 | for TV Monitor / rectangular analog display

Alternative to wall mounting, mounting solution for TV monitors or square analogue displays | TV adapter for stand column / swivel arm (item no. 1 691 810 722) is also required to attach a TV monitor!

Article number: 1691810722



BD 6000

**Standard-Software Truck | ICperform**

Article number: 1691810741

**Adaptation kit for Semmler Tachocontrol BD6xxx | left**

Article number: 1691811126

**Axle weight 8-point scale | for BD 6xxx / MB 8x00**

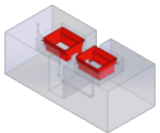
Article number: 1691801012

**Retrofit set for VDO tachograph test BD 6xxx | left**

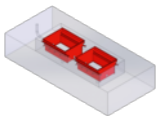
Article number: 1691811539

Axle weight upgrade from 4- to 8-point scale | for BD 6xxx / MB 8x00

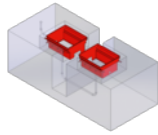
Article number: 1691812198

**Assembling case BD 6xxx / 1100 mm | with pit**

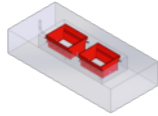
Article number: 1691811084

**Assembling case BD 6xxx / 1100 mm | without pit**

Article number: 1691811083

**Assembling case BD 6xxx / 1000 mm | with pit**

Article number: 1691811082

**Assembling case BD 6xxx / 1000 mm | without pit**

Article number: 1691811081

**Kit 4x drive-over plates | BD6xxx & BD8xxx | 1000mm & 1100mm**

Article number: 1691810717

**Tablet-App**

Article number: 1691810756

**Air pressure sensors | Truck | APS 3**

Article number: 1693770658

**Pedal force meter | APS3**

Article number: 1693770662

**Display RAL 7016 | analog, rectangular | LCD, svivel arm, IR receiver**

Article number: 1691810750

**Air pressure sensor Px universal | for APS3**

Article number: 1693770659

**Warn-System for air pressure sensors**

Article number: 1691810735

**Wired pedal force tester APS1 | PD**

Article number: 1691810734

**IR remote control Truck**

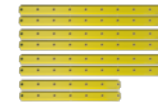
Article number: 1691810704

**IR Kit Truck**

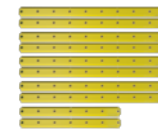
Article number: 1691810702

**Pneumatic connection hose | Truck | APS 3**

Article number: 1693770663

**Pit safety PSC2 | cross | 1,5/2,5m**

Article number: 1691810724

**Pit safety PSC2 | cross | 2,5/2,5m**

Article number: 1691810725

**Wired air pressure sensor APS1 | basic set - PM / PX1**

Article number: 1691810733

**Monitor holder 17 - 27"**

Article number: 1693740884

**PC gear pack for PC cabinet Standard**

Article number: 1691810743

**PC For Test Lanes**

Article number: 1691810703

**PC cabinet Standard | empty**

Article number: 1691811250

**Stand column aluminium | RAL 7016 | for TV
Monitor / rectangular analog display**

Article number: 1691810722

IMPORTANT NOTES

- Please notice: This list contains spare parts, too.
- Without instruction or assembly.
- Delivery ex works including packaging.

VERSION 2026.05.12 – PRICES ON REQUEST

- Starting from now all previous lists will lose their validity.
- Please read our general terms and conditions in the latest version before ordering; to be found under www.beissbarth.com.

Order number 1 693 602 008 **Print norm** BB XXX / XX.XX.2020 DE · Subject to technical and program changes, errors excepted.

Beissbarth Automotive Testing Solutions GmbH

Friedrichshafener Str. 602
82205 Gilching, Germany
sales@beissbarth.com
www.beissbarth.com

Telefon: +49-(0)89-14901-0
Telefax: +49-(0)89-14901-246

