

Dialogannahme

# TC-SERIES (CAR)

Version 2026.05.12 – Prices on request

# Storage kit | for TC22, TC45 and TC47L

Article number: 1692402014



## Quick inflation system | for TC45 and TC47L

*For quick inflation of tubeless tyres*

**Article number: 1692402029**



## Bead clamp

Article number: 1692402031



## Mounting head | for motorcycles

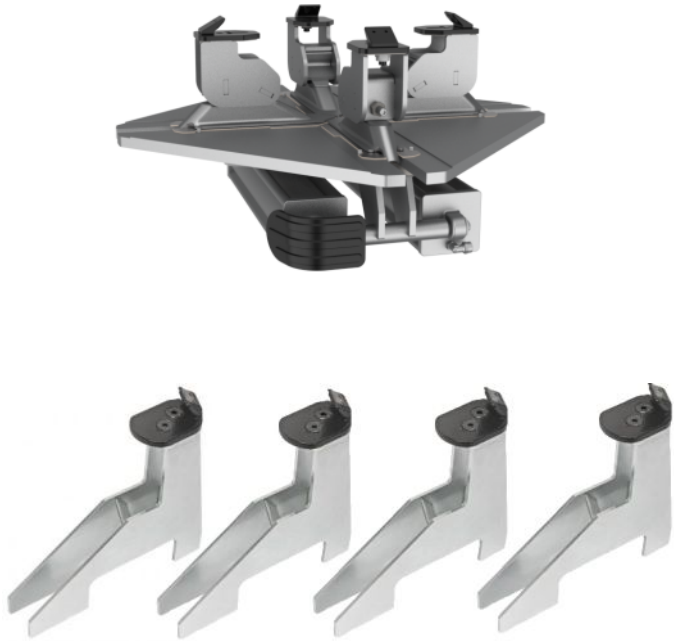
Article number: 1692402032



## Set clamping jaws | 4 pcs. | for motorcycles

TC22: 14-27"; TC45: 14"-29"

Article number: 1692402380



## Set clamping jaws | 4 pcs. | for scooters

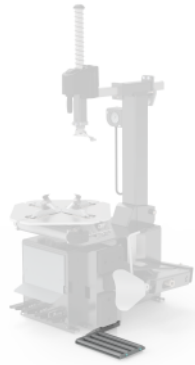
TC22: 8-18"; TC47: 8"-20"

Article number: 1692402034



# Roller bed | for TC22, TC45 and TC47L

Article number: 1692402036



## Lever | for RFT and UHP tyres

Article number: 1692402037



# Lever | WDK

Article number: 1692402038



## WIKA inflating gun with pressure gauge

Article number: 1692402028



# Rim protector

Article number: 1692402027



## Plastic mounting head | TC22 and TC45

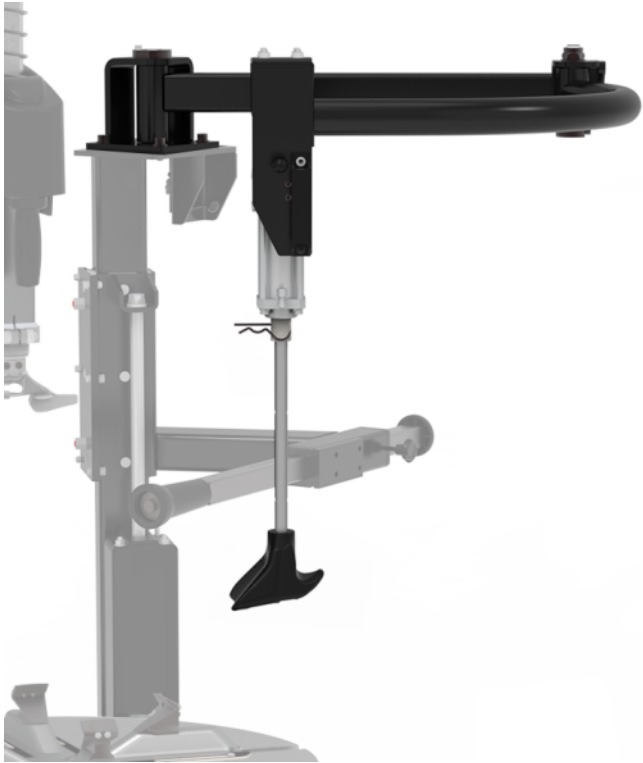
Article number: 1692402026



## Pneumatic helper arm | for TCX.PRO2 and PRO3

*Not suited for TCX.PRO*

**Article number: 1692402016**



## Assistance column | TCX.PRO2

*TCX.PRO2: premium assistance column with compact design to handle hard UHP, run flat and larger tyres Suitable for TC45 and TC47L. Not compatible with TC22*

**Article number: 1692402017**



## Assistance column | TCX.PRO

*TCX.PRO: entry-level assistance column fully equipped to handle hard UHP and run flat tyres. Compatible with TC22 and TC45*

**Article number: 1692402018**



### **TCX.PRO: entry-level assistance column fully equipped to handle hard UHP and run flat tyres**

- Bead roller to push bead in drop center
- Travelling bead pusher arm to keep bead in drop center during rotation
- Bottom disc roller to easily demount heavy, stiff, or wide tyres
- Rim pressing cone to simplify external clamping on low-profile tyres
- Simultaneous height adjustment of all tools

## Protection kit mounting tool | 10x front + 10x rear

Article number: 1692402019



10x

## Protection kit clamping jaws | 4 pcs | for TC22, TC45 and TC47L

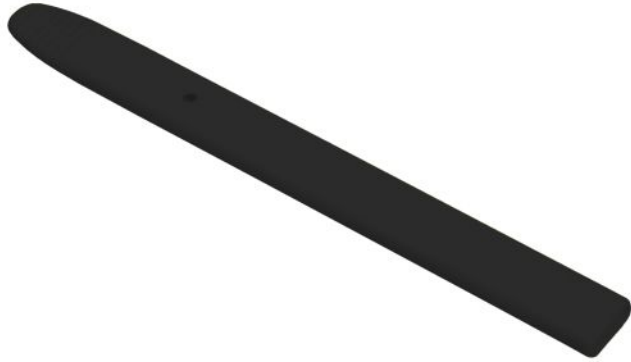
Article number: 1692402021



## Protection for lever

*For protection of aluminium rims. Suitable for mounting lever 1692402037*

**Article number: 1692402022**



## Bead breaker shovel protection

Article number: 1692402023



## Quick change kit for mounting head

*Not suited for leverless machines*

**Article number: 1692402025**



## Protection | for WDK lever

*Suitable for 1692402038*

**Article number: 1692402020**



## TC-Series (Car)



### Storage kit | for TC22, TC45 and TC47L

Article number: 1692402014



### Quick inflation system | for TC45 and TC47L

Article number: 1692402029



### Bead clamp

Article number: 1692402031



### Mounting head | for motorcycles

Article number: 1692402032



### Set clamping jaws | 4 pcs. | for motorcycles

Article number: 1692402380



### Set clamping jaws | 4 pcs. | for scooters

Article number: 1692402034



### Roller bed | for TC22, TC45 and TC47L

Article number: 1692402036



### Lever | for RFT and UHP tyres

Article number: 1692402037



### Lever | WDK

Article number: 1692402038



### WIKA inflating gun with pressure gauge

Article number: 1692402028



### Rim protector

Article number: 1692402027



### Plastic mounting head | TC22 and TC45

Article number: 1692402026



### Pneumatic helper arm | for TCX.PRO2 and PRO3

Article number: 1692402016



### Assistance column | TCX.PRO2

Article number: 1692402017



### Assistance column | TCX.PRO

Article number: 1692402018



### Protection kit mounting tool | 10x front + 10x rear

Article number: 1692402019



### Protection kit clamping jaws | 4 pcs | for TC22, TC45 and TC47L

Article number: 1692402021



### Protection for lever

Article number: 1692402022



### Bead breaker shovel protection

Article number: 1692402023



### Quick change kit for mounting head

Article number: 1692402025



### Protection | for WDK lever

Article number: 1692402020

# IMPORTANT NOTES

- Please notice: This list contains spare parts, too.
- Without instruction or assembly.
- Delivery ex works including packaging.

## VERSION 2026.05.12 – PRICES ON REQUEST

- Starting from now all previous lists will lose their validity.
- Please read our general terms and conditions in the latest version before ordering; to be found under [www.beissbarth.com](http://www.beissbarth.com).

**Order number** 1 693 602 008 **Print norm** BB XXX / XX.XX.2020 DE · Subject to technical and program changes, errors excepted.

### Beissbarth Automotive Testing Solutions GmbH

Friedrichshafener Str. 602  
82205 Gilching, Germany  
[sales@beissbarth.com](mailto:sales@beissbarth.com)  
[www.beissbarth.com](http://www.beissbarth.com)

Telefon: +49-(0)89-14901-0  
Telefax: +49-(0)89-14901-246

