

Dialogannahme

AKIMBO MK1 / MK2

Version 2026.05.12 – Prices on request

BeadLock Pro | with extension

Prevents hard tyres from rotating on the rim and protects TPMS sensors during mounting phase. Includes extension for reversed rim mounting and tyre changes with center clamping.

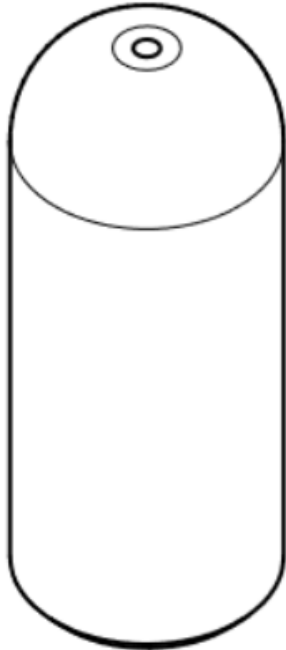
Article number: 1692402003



Protection for drive pin extension | Akimbo

Protection for drive pin extension 1692402166

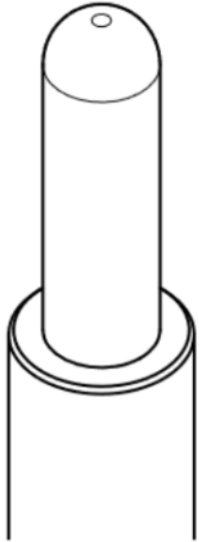
Article number: 1692402183



Extension for drive pin | Akimbo

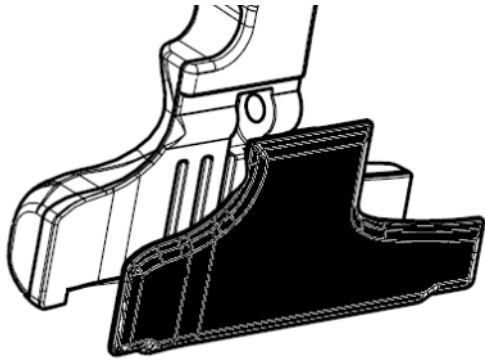
Extension for drive pin for proper clamping when rotation and torque are applied

Article number: 1692402166



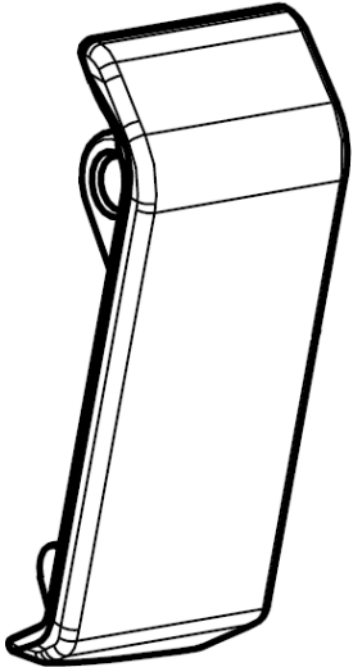
Lower protection for mounting tool | 1 pc. | Akimbo

Article number: 1692402174



Upper protection for mounting tool | 1 pc. | Akimbo

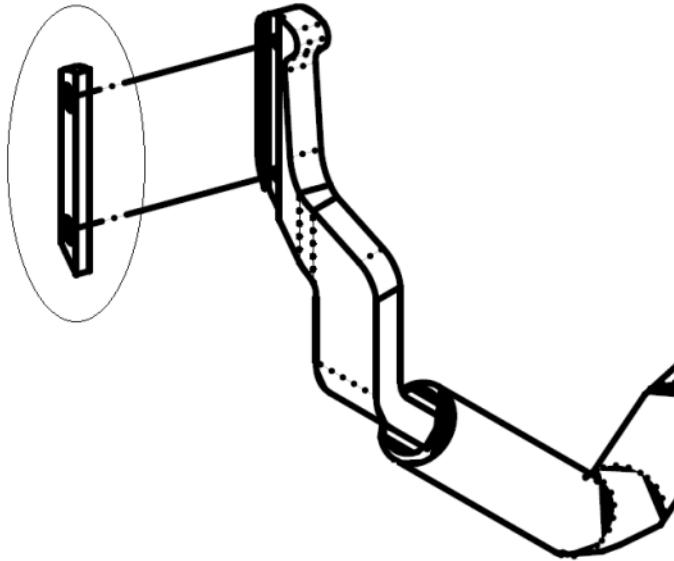
Article number: 1692402173



Protection for lower mounting tool | 1 pc. | Akimbo

for lower mounting tool 1692402216

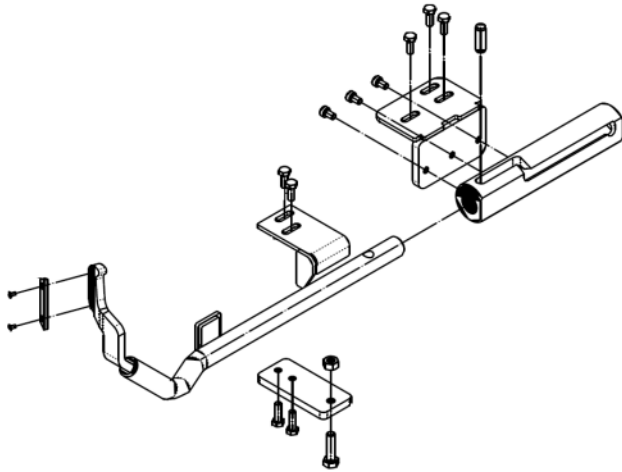
Article number: 1692402177



Lower mounting tool | Akimbo

Simplifies the mounting of wide and soft tires

Article number: 1692402216



Rubber protection | for center clamping

Only for machines with center clamping

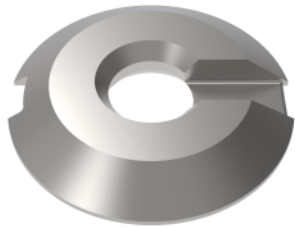
Article number: 1692402214



Cone | for light trucks

Only for machines with center clamping

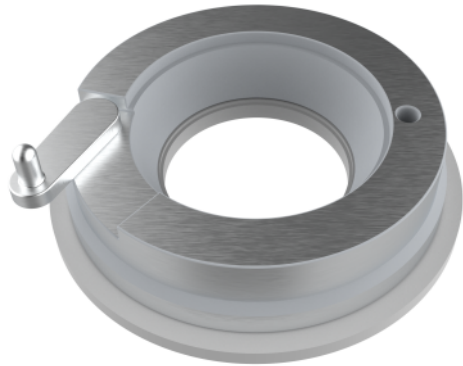
Article number: 1692402213



Spacer | for light trucks

Only for machines with center clamping

Article number: 1692402215



Flange | for reverse-mounting rims and without central hole

Only for machines with center clamping

Article number: 1692402024



Quick inflation system | for Akimbo Mk1 & Mk2

Quick inflation of tubeless tyres

Article number: 1692402163

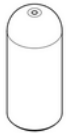


Akimbo MK1 / MK2



BeadLock Pro | with extension

Article number: 1692402003



Protection for drive pin extension | Akimbo

Article number: 1692402183



Extension for drive pin | Akimbo

Article number: 1692402166



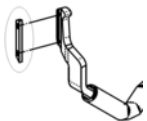
Lower protection for mounting tool | 1 pc. | Akimbo

Article number: 1692402174



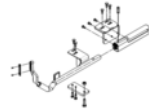
Upper protection for mounting tool | 1 pc. | Akimbo

Article number: 1692402173



Protection for lower mounting tool | 1 pc. | Akimbo

Article number: 1692402177



Lower mounting tool | Akimbo

Article number: 1692402216



Rubber protection | for center clamping

Article number: 1692402214



Cone | for light trucks

Article number: 1692402213



Spacer | for light trucks

Article number: 1692402215



Flange | for reverse-mounting rims and without central hole

Article number: 1692402024



Quick inflation system | for Akimbo Mk1 & Mk2

Article number: 1692402163

IMPORTANT NOTES

- Please notice: This list contains spare parts, too.
- Without instruction or assembly.
- Delivery ex works including packaging.

VERSION 2026.05.12 – PRICES ON REQUEST

- Starting from now all previous lists will lose their validity.
- Please read our general terms and conditions in the latest version before ordering; to be found under www.beissbarth.com.

Order number 1 693 602 008 **Print norm** BB XXX / XX.XX.2020 DE · Subject to technical and program changes, errors excepted.

Beissbarth Automotive Testing Solutions GmbH

Friedrichshafener Str. 602
82205 Gilching, Germany
sales@beissbarth.com
www.beissbarth.com

Telefon: +49-(0)89-14901-0
Telefax: +49-(0)89-14901-246

