

Dialogannahme

# TC 850 HD & TC 1150 HD (TRUCK)

Version 2026.05.12 – Prices on request

## Extension claws for thick rim flanges | for MS 78 and MS 80 | 6 pcs.

Article number: 1695301748



## Protection jaws for aluminium rims | 26" | 4 pcs.

*For fitting to the clamping jaws*

**Article number: 1695400139**



## Protection jaws for aluminium rims | 52" | for MS 75 | 4 pcs.

Article number: 1695301711



## Protection jaws for aluminium rims | 56" | for MS 78 and MS 80 | 6 pcs.

Article number: 1695301575



## Center hole adapter from 80 mm | for MS 75 | 4 pcs.

Article number: 1695301781



## Electronic inflation computer | for tyre inflation cage

Electronic control and display of inflation process. For inflation cage 1692402000.

**Article number: 1692402013**



### Easy Automatic Inflation

On request, the inflation cage can be equipped with an electronic system which allows a standalone inflating process. The main feature is that once the necessary pressure has been set and the process started, the pressure gauge completes the operation unassisted, leaving the operator free to carry out other tasks. Max pressure: 10bar

For inflation cage 1692402000

## Rim protection ring | 281mm | for 22,5" aluminium rims

Article number: 1692402011



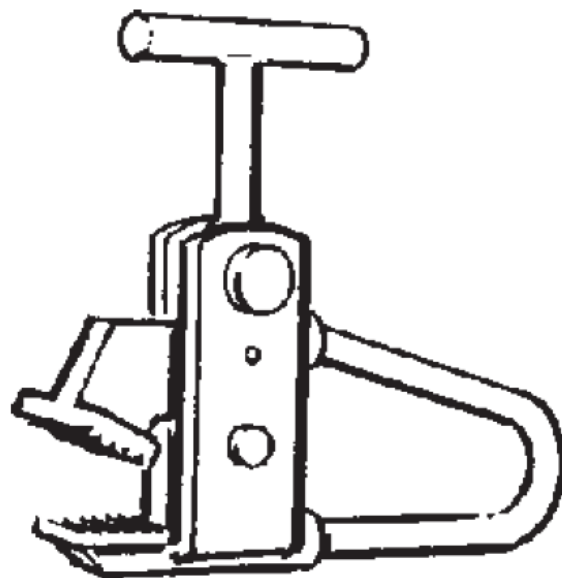
## Clamp for aluminium rims | Truck

Article number: 1692402010



## Rim clamp | for steel rims

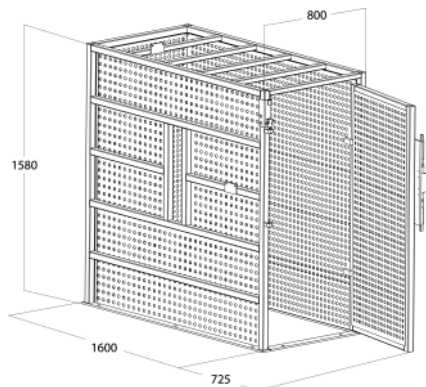
Article number: 1692402218



## Inflation Cage | for truck tyres

Safe inflation of truck tyres of up to 1450mm in diameter

Article number: 1692402000



### Safety First!

Protects user during inflation of industrial tyres with a diameter of up to 1450mm.

The special type of perforated mesh enclosing the structure minimizes the shock wave which might be generated by a tyre burst.

Scope of delivery:

- Inflation cage
- Inflation gun

Note: Electronic inflation control needs to be ordered separately.

## TC 850 HD & TC 1150 HD (Truck)



**Extension claws for thick rim flanges | for MS 78 and MS 80 | 6 pcs.**

Article number: 1695301748



**Protection jaws for aluminium rims | 26" | 4 pcs.**

Article number: 1695400139



**Protection jaws for aluminium rims | 52" | for MS 75 | 4 pcs.**

Article number: 1695301711



**Protection jaws for aluminium rims | 56" | for MS 78 and MS 80 | 6 pcs.**

Article number: 1695301575



**Center hole adapter from 80 mm | for MS 75 | 4 pcs.**

Article number: 1695301781



**Electronic inflation computer | for tyre inflation cage**

Article number: 1692402013



**Rim protection ring | 281mm | for 22,5" aluminium rims**

Article number: 1692402011



**Clamp for aluminium rims | Truck**

Article number: 1692402010



**Rim clamp | for steel rims**

Article number: 1692402218



**Inflation Cage | for truck tyres**

Article number: 1692402000

# IMPORTANT NOTES

- Please notice: This list contains spare parts, too.
- Without instruction or assembly.
- Delivery ex works including packaging.

## VERSION 2026.05.12 – PRICES ON REQUEST

- Starting from now all previous lists will lose their validity.
- Please read our general terms and conditions in the latest version before ordering; to be found under [www.beissbarth.com](http://www.beissbarth.com).

**Order number** 1 693 602 008 **Print norm** BB XXX / XX.XX.2020 DE · Subject to technical and program changes, errors excepted.

### Beissbarth Automotive Testing Solutions GmbH

Friedrichshafener Str. 602  
82205 Gilching, Germany  
[sales@beissbarth.com](mailto:sales@beissbarth.com)  
[www.beissbarth.com](http://www.beissbarth.com)

Telefon: +49-(0)89-14901-0  
Telefax: +49-(0)89-14901-246

