

Dialogannahme

MS-SERIES (CAR)

Version 2026.05.12 – Prices on request

Plastic demounting lever

Article number: 1692402217



Motorbike mounting head replacement

Article number: 1695102766



Drive pin protection | for MS 900

Article number: 1695107480



Upper mounting tool protection | for MS 900

Article number: 1695107601



WDK protection UHP/RFT | for MS6x0S

for 24-28" turntables

Article number: 1695108654



WDK protection UHP/RFT | for MS530S

Article number: 1695108653



Adapter kit for plastic mounting tool

Article number: 1695102765

Exchange Plastic Mounting Head | for MS and TC series

Additionally requires Adapter kit (1 695 102 765)

Article number: 1695102529

Jaws plastic protection | 4 pcs. | for MS 500 S and MS 63 S

for 20" turntables

Article number: 1695101402



Plastic guard set for tool | MS 800

Article number: 1695109850

Connecting pipe for inflation gun/VGP

Article number: 1695104542



Rear protection leverless mounting tool | 10 pcs.

Suitable for leverless mounting head of TC47L

Article number: 1692402002



Front protection leverless mounting tool | 10 pcs.

Suitable for leverless mounting head of TC47L

Article number: 1692402001

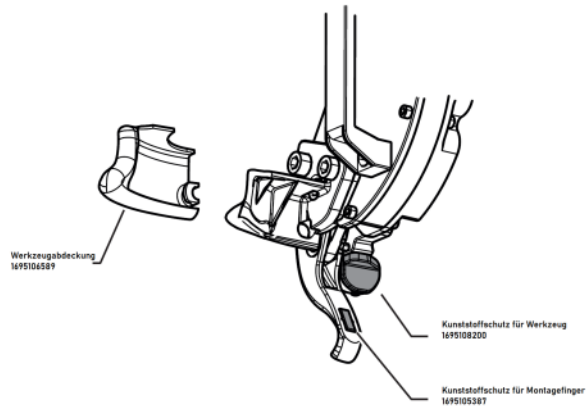


Plastic cover for centering cone | MS670S V6 & V8

Article number: 1695107481

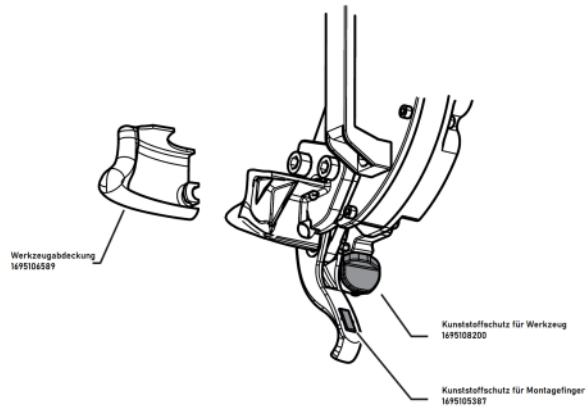
Plastic protection for leverless mounting finger | MS 650S V8 and MS 670S V8

Article number: 1695105387



Plastic protection for leverless mounting tool | MS 650S V8 and MS 670S V8

Article number: 1695108200



Plastic guard set for tool

Article number: 1695101503



Bead breaker support for vehicle | MS500S/MS63S/MS530S

Article number: 1695101150

WIKA tire inflation gun with pressure gauge | MS500S/MS63S/MS530S

Article number: 1695101653

Scooter adapters for MS 500S und MS 63S | 4 pcs.

For MS 500S: 6-15" For MS 63S: 7-14"

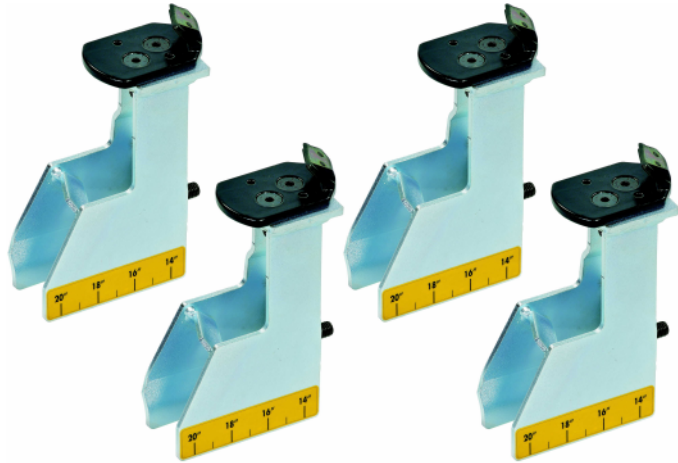
Article number: 1695103542



Motorbike adaptors for MS 500S and MS 63S | 14-25" | 4 pcs.

For MS 500S: 14-25" For MS 63S: 14-25"

Article number: 1695103543



Jaws plastic protection | 4 pcs. | for MS 630 S, MS 650 S

| for 24" and 28" turntables

Article number: 1695102148



Roller board | for MS 63 S, MS 5x0 S, MS 6x0 S

Article number: 1695106190



Inflation gun Eurodainu Michelin

Article number: 1695042877



Bead pressing device thin

Article number: 1695103261



Plastic tool protection set | for MS 5x0 S, MS 630 S, MS 650 S

not compatible with V8 versions

Article number: 1695104741



Plastic mounting head kit | for MS and TC series

not compatible with V8 versions

Article number: 1695103211



Shovel protection for bead breaker | for MS 5x0 S, MS 630 S, MS 650 S

Article number: 1695106152



Protective cover for mounting tool | 5 pcs. | for MS 5x0 S, MS 63 S, MS 630 S, MS 650 S

Article number: 1695101608



Protective cover for mounting tool | left | for MS 5x0 S, MS 63 S, MS 630 S, MS 650 S

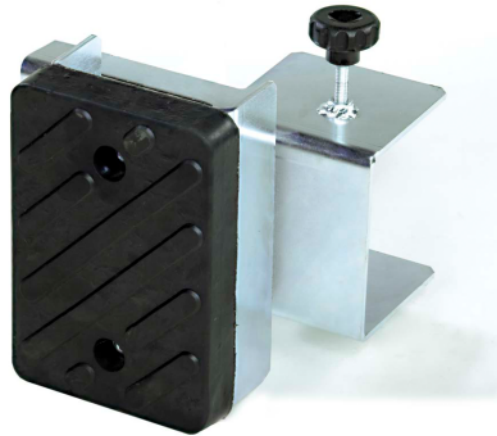
Article number: 1695102725



Bead breaking spacer for motorbike wheels | for MS 5x0 S, MS 63 S, MS 630 S, MS 650 S

for motorbike wheels

Article number: 1695101518



Jaws plastic protection | 4 pcs. | for MS 530 S

for 22" turntables

Article number: 1695101502



Lower mounting tool protection | for MS 900

Article number: 1695107604

Wheel clamping adaptor kit for clad wheels | for MS 670 S and MS 900

Article number: 1695108196



Cone for BMW | for MS 670 S and MS 900

Article number: 1695108140



Protection kit for clamping cone | for MS 670 S and MS 900

Article number: 1695108120

Rubber protection for centre locking | for MS 670 S and MS 900

Article number: 1695107444

Protective cover for mounting tool | for MS 5x0 S, MS 63 S, MS 630 S, MS 650 S before MD 05/2016

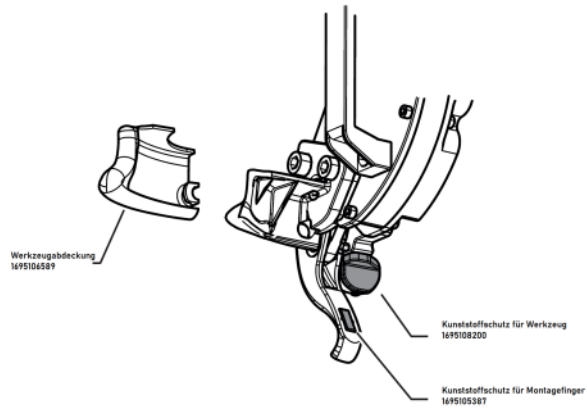
Article number: 1695105589

Protective cover for mounting tool | 5 pcs. | for MS 630 S V8, MS 650 S V8, MS 670 S

Article number: 1695100083

Protective cover for leverless mounting tool | left | 5 pcs. | for MS 650S V8, MS 670S V8

Article number: 1695106589



Wheel lift | for MS 5x0 S, MS 6x0 S

Article number: 1695107466



MS-Series (Car)



Plastic demounting lever
Article number: 1692402217



Motorbike mounting head replacement
Article number: 1695102766



Drive pin protection | for MS 900
Article number: 1695107480



Upper mounting tool protection | for MS 900
Article number: 1695107601



WDK protection UHP/RFT | for MS6x0S
Article number: 1695108654



WDK protection UHP/RFT | for MS530S
Article number: 1695108653

Adapter kit for plastic mounting tool
Article number: 1695102765

Exchange Plastic Mounting Head | for MS and TC series
Article number: 1695102529



Jaws plastic protection | 4 pcs. | for MS 500 S and MS 63 S
Article number: 1695101402

Plastic guard set for tool | MS 800
Article number: 1695109850



Connecting pipe for inflation gun/VGP
Article number: 1695104542

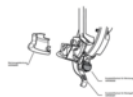


Rear protection leverless mounting tool | 10 pcs.
Article number: 1692402002



Front protection leverless mounting tool | 10 pcs.
Article number: 1692402001

Plastic cover for centering cone | MS670S V6 & V8
Article number: 1695107481



Plastic protection for leverless mounting finger | MS 650S V8 and MS 670S V8
Article number: 1695105387



Plastic protection for leverless mounting tool | MS 650S V8 and MS 670S V8
Article number: 1695108200



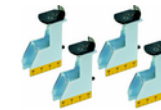
Plastic guard set for tool
Article number: 1695101503

Bead breaker support for vehicle | MS500S/MS63S/MS530S
Article number: 1695101150

WIKA tire inflation gun with pressure gauge | MS500S/MS63S/MS530S
Article number: 1695101653



Scooter adapters for MS 500S und MS 63S | 4 pcs.
Article number: 1695103542



Motorbike adaptors for MS 500S and MS 63S | 14-25" | 4 pcs.
Article number: 1695103543



Jaws plastic protection | 4 pcs. | for MS 630 S, MS 650 S
Article number: 1695102148



Roller board | for MS 63 S, MS 5x0 S, MS 6x0 S
Article number: 1695106190



Inflation gun Eurodainu Michelin
Article number: 1695042877



Bead pressing device thin
Article number: 1695103261



Plastic tool protection set | for MS 5x0 S, MS 630 S, MS 650 S
Article number: 1695104741



Plastic mounting head kit | for MS and TC series
Article number: 1695103211



Shovel protection for bead breaker | for MS 5x0 S, MS 630 S, MS 650 S
Article number: 1695106152



Protective cover for mounting tool | 5 pcs. | for MS 5x0 S, MS 63 S, MS 630 S, MS 650 S
Article number: 1695101608



Protective cover for mounting tool | left | for MS 5x0 S, MS 63 S, MS 630 S, MS 650 S
Article number: 1695102725



Bead breaking spacer for motorbike wheels | for MS 5x0 S, MS 63 S, MS 630 S, MS 650 S
Article number: 1695101518



Jaws plastic protection | 4 pcs. | for MS 530 S
Article number: 1695101502

Lower mounting tool protection | for MS 900

Article number: 1695107604



Wheel clamping adaptor kit for clad wheels | for MS 670 S and MS 900
Article number: 1695108196



Cone for BMW | for MS 670 S and MS 900
Article number: 1695108140

Protection kit for clamping cone | for MS 670 S and MS 900

Article number: 1695108120

Rubber protection for centre locking | for MS 670 S and MS 900

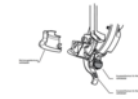
Article number: 1695107444

Protective cover for mounting tool | for MS 5x0 S, MS 63 S, MS 630 S, MS 650 S before MD 05/2016

Article number: 1695105589

Protective cover for mounting tool | 5 pcs. | for MS 630 S V8, MS 650 S V8, MS 670 S

Article number: 1695100083



Protective cover for leverless mounting tool | left | 5 pcs. | for MS 650S V8, MS 670S V8

Article number: 1695106589



Wheel lift | for MS 5x0 S, MS 6x0 S
Article number: 1695107466

IMPORTANT NOTES

- Please notice: This list contains spare parts, too.
- Without instruction or assembly.
- Delivery ex works including packaging.

VERSION 2026.05.12 – PRICES ON REQUEST

- Starting from now all previous lists will lose their validity.
- Please read our general terms and conditions in the latest version before ordering; to be found under www.beissbarth.com.

Order number 1 693 602 008 **Print norm** BB XXX / XX.XX.2020 DE · Subject to technical and program changes, errors excepted.

Beissbarth Automotive Testing Solutions GmbH

Friedrichshafener Str. 602
82205 Gilching, Germany
sales@beissbarth.com
www.beissbarth.com

Telefon: +49-(0)89-14901-0
Telefax: +49-(0)89-14901-246

