

Dialogannahme

TRUCK

Version 2026.05.12 – Prices on request

TC850 HD

Truck tyre changer | 14-30" rim size | 850mm rim width | 1200kg | 400V

Article number: 1692401008



The TC850 HD: The Ultimate Heavy-Duty Truck Tyre Changer
Self-Centering Chuck

- Four powerful jaws ensure perfect locking on rims of all shapes and profiles
- Rotates clockwise and anti-clockwise at 7rpm
- Opens and closes hydraulically with adjustable pressure
- Three grip zones, six different possibilities for clamping the rim

Powerful Mounting and Demounting Tool Arm

- Manual adjustment of the tool inclination and direction
- Simply rotate tool to switch between bead breaking roller and bead extraction
- Quick and manual movement of the tool arm closer to or further away from the wheel
- Get the tool arm completely out of the way with one simple move for better access to the wheel
- Powerful bead breaker with 25,000N force in & out

Robust and Intuitive Cable Remote

- Joystick 1 (up & down): Wheel up and wheel down
- Joystick 1 (left and right): Movement of tool carriage
- Joystick 2: Open and close jaws
- Left pedal: rotate anti-clockwise
- Right pedal: rotate clockwise
- Freely movable inside complete working area

Superior Versatility

- Effortlessly handles rims up to 30" diameter
- Covers wheels up to 1640mm in diameter and 850mm in width
- Built to handle weights up to 1200kg

Note: For maximum safety, holes for floor fixation are pre-drilled

in the factory by default.

Scope of deliveries:

- Truck mounting lever
- Rim clamp
- 5,3m cable
- 400V plug

TC1150 HD

Truck tyre changer | 14-42" rim size | extendable up to 56" | 1150mm rim width | 2000kg | 400V

Article number: 1692401009



The TC1150 HD: The ultimate heavy-duty truck tyre changer Self-centering chuck

- Four powerful jaws ensure perfect locking on rims of all shapes and profiles
- Rotates clockwise and anti-clockwise at 4.5 to 9 rpm
- Opens and closes hydraulically with adjustable pressure
- Five grip zones, six different possibilities for clamping the rim

Powerful mounting and demounting tool arm

- Manual adjustment of the tool inclination and direction
- Simply rotate tool to switch between bead breaking roller and bead extraction
- Quick and manual movement of the tool arm closer to or further away from the wheel
- Get the tool arm completely out of the way with one simple move for better access to the wheel
- Powerful bead breaker with 25,000N force in & out

Robust and intuitive cable remote

- Joystick 1 (up & down): Wheel up and wheel down
- Joystick 1 (left and right): Movement of tool carriage
- Joystick 2: Open and close jaws
- Left pedal: rotate anti-clockwise
- Right pedal: rotate clockwise
- Freely movable inside complete working area

Superior versatility

- Effortlessly handles rims up to 42" diameter, extendable up to 56"
- Covers wheels up to 2300mm in diameter and 1150mm in width
- Built to handle weights up to 2000kg

Note: For maximum safety, holes for floor fixation are pre-drilled in the factory by default.

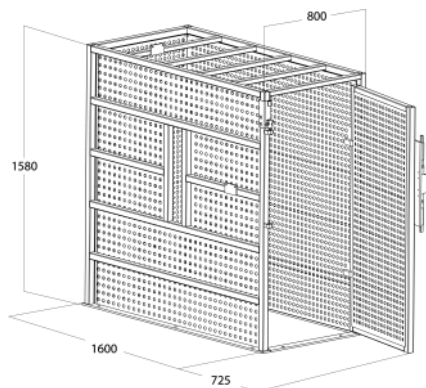
Scope of deliveries:

- Truck mounting lever
- Rim clamp
- 5,3m cable
- 400V plug

Inflation Cage | for truck tyres

Safe inflation of truck tyres of up to 1450mm in diameter

Article number: 1692402000



Safety First!

Protects user during inflation of industrial tyres with a diameter of up to 1450mm.

The special type of perforated mesh enclosing the structure minimizes the shock wave which might be generated by a tyre burst.

Scope of delivery:

- Inflation cage
- Inflation gun

Note: Electronic inflation control needs to be ordered separately.

Truck



TC850 HD

Article number: 1692401008



TC1150 HD

Article number: 1692401009



Inflation Cage | for truck tyres

Article number: 1692402000

IMPORTANT NOTES

- Please notice: This list contains spare parts, too.
- Without instruction or assembly.
- Delivery ex works including packaging.

VERSION 2026.05.12 – PRICES ON REQUEST

- Starting from now all previous lists will lose their validity.
- Please read our general terms and conditions in the latest version before ordering; to be found under www.beissbarth.com.

Order number 1 693 602 008 **Print norm** BB XXX / XX.XX.2020 DE · Subject to technical and program changes, errors excepted.

Beissbarth Automotive Testing Solutions GmbH

Friedrichshafener Str. 602
82205 Gilching, Germany
sales@beissbarth.com
www.beissbarth.com

Telefon: +49-(0)89-14901-0
Telefax: +49-(0)89-14901-246

