

Dialogannahme

TYRE CHANGERS

Version 2026.05.12 – Prices on request

TC22

Automatic tilt-back tyre changer | 10-25" working range | 12" standard bead breaker | 400V

Article number: 1692401000



Square turntable with automatic centering jaws

- Clamping range from 10-25"
- Double 80mm cylinders for maximum clamping power
- 2 rotation speed: 8 and 16 rpm
- Square shape for easier lever use

Robust mounting column and head

- Easy tilting via pedal
- Quick vertical and horizontal movement of arm
- Pneumatic locking

Powerful bead breaker side shovel

- Quick and effective loosening of the bead
- Up to 12" tyre width
- Three-way adjustable blade
- Controlled via pedal
- Anti-skid rubber pad protects tyre and rim

Full control with four pedals

- Pedal control for rotation, side shovel, column tilting, and clamping
- Removable pedal unit for easier maintenance

High rigidity by design

- Full metal pedals
- Powerful 50x50mm horizontal arm
- Metal front cover

Upgrade options:

- TCX.PRO assistance column
- Front lift

- Tubeless inflation kit
- Roller board

Note: unit comes with disassembled pole

Scope of deliveries:

- 5x front head protection
- 2x rear head protection
- Inflation gun
- Standard lever
- Brush
- Power plug

TC22 Pro | WDK

Automatic tilt-back tyre changer | 10-25" working range | 12" standard bead breaker | TCX.PRO assistance column | WDK | 400V

Article number: 1692401001



Square turntable with automatic centering jaws

- Clamping range from 10-25"
- Double 80mm cylinders for maximum clamping power
- 2 rotation speeds: 8 & 16 rpm
- Square shape for easier lever use

Robust mounting column and head

- Easy tilting via pedal
- Quick vertical and horizontal movement of arm
- Pneumatic locking

Powerful bead breaker side shovel

- Quick and effective loosening of the bead
- Up to 12" tyre width
- Three-way adjustable blade
- Controlled via pedal
- Anti-skid rubber pad protects tyre and rim

Full control with four pedals

- Pedal control for rotation, side shovel, column tilting, and clamping
- Removable pedal unit for easier maintenance

High rigidity by design

- Full metal pedals
- Powerful 50x50mm horizontal arm
- Metal front cover

TCX.PRO: entry-level assistance column fully equipped to handle hard UHP and run flat tyres

- Bead roller to push bead in drop center

- Travelling bead pusher arm to keep bead in drop center during rotation
- Bottom disc roller to easily demount heavy, stiff, or wide tyres
- Rim pressing cone to simplify external clamping on low-profile tyres
- Simultaneous height adjustment of all tools

WDK-approved: Secure mounting and demounting of UHP and runflat tyres

Upgrade options:

- Front lift
- Tubeless inflation kit
- Roller board

Scope of deliveries:

- 5x front head protection
- 2x rear head protection
- Inflation gun
- WDK lever
- WDK mounting clamp RFT/UHP
- WDK rim protector
- Rim protection for lever
- Bead breaker blade protection
- Brush
- 400V plug

Note: unit comes fully assembled

TC45

Automatic tilt-back tyre changer | 10-27" working range | 15" standard bead breaker | pedal inflation | 400V

Article number: 1692401002



Square turntable with automatic centering jaws

- Clamping range from 10-27"
- Double 80mm cylinders for maximum clamping power
- 2 rotation speeds: 8 & 16 rpm
- Square shape for easier lever use

Robust mounting column and head

- Easy tilting via pedal
- Quick vertical and horizontal movement of arm
- Pneumatic locking

Powerful bead breaker side shovel

- Quick and effective loosening of the bead
- Up to 15" tyre width
- Three-way adjustable blade
- Controlled via pedal
- Anti-skid rubber pad protects tyre and rim

Full control with four pedals plus side inflation pedal

- Pedal control for rotation, side shovel, column tilting, and clamping
- Removable pedal unit for easier maintenance
- Safety separator for rotation pedal
- Side inflation pedal

High rigidity by design

- Full metal pedals
- Powerful 50x50mm horizontal arm
- Metal front cover

Upgrade options:

- TCX.PRO, PRO2 or PRO3 assistance column
- Side lift
- Tubeless inflation kit
- Roller board

Scope of deliveries:

- 5x front head protection
- 2x rear head protection
- Standard lever
- Brush
- 400V plug

Note: unit comes with disassembled pole

TC45 Pro | WDK

Automatic tilt-back tyre changer | 10-27" working range | 15" standard bead breaker | pedal inflation | TCX.PRO assistance column | WDK | 400V

Article number: 1692401003



Square turntable with automatic centering jaws

- Clamping range from 10-27"
- Double 80mm cylinders for maximum clamping power
- 2 rotation speeds: 8 & 16 rpm
- Square shape for easier lever use

Robust mounting column and head

- Easy tilting via pedal
- Quick vertical and horizontal movement of arm
- Pneumatic locking

Powerful bead breaker side shovel

- Quick and effective loosening of the bead
- Up to 15" tyre width
- Three-way adjustable blade
- Controlled via pedal
- Anti-skid rubber pad protects tyre and rim

Full control with four pedals

- Pedal control for rotation, side shovel, column tilting, and clamping
- Removable pedal unit for easier maintenance
- Safety separator for rotation pedal

High rigidity by design

- Full metal pedals
- Powerful 50x50mm horizontal arm
- Metal front cover

TCX.PRO: entry-level assistance column fully equipped to handle hard UHP and run flat tyres

- Bead roller to push bead in drop center
- Travelling bead pusher arm to keep bead in drop center during rotation
- Bottom disc roller to easily demount heavy, stiff, or wide tyres
- Rim pressing cone to simplify external clamping on low-profile tyres
- Simultaneous height adjustment of all tools

WDK-approved: Secure mounting and demounting of UHP and runflat tyres

Upgrade options:

- Side lift
- Tubeless inflation kit
- Roller board

Scope of deliveries:

- 5x front head protection
- 2x rear head protection
- 4x jaw protections
- WDK lever
- WDK mounting clamp RFT/UHP
- WDK rim protector
- Rim protection for lever
- Bead breaker blade protection
- Brush
- 400V plug

Note: unit comes fully assembled

TC45 Pro2 | WDK

Automatic tilt-back tyre changer | 10-27" working range | 15" premium bead breaker | pedal inflation | TCX.PRO2 assistance column | WDK | 400V

Article number: 1692401004



Square turntable with automatic centering jaws

- Clamping range from 10-27"
- Double 80mm cylinders for maximum clamping power
- 2 rotation speeds: 8 & 16 rpm
- Square shape for easier lever use

Robust mounting column and head

- Easy tilting via pedal
- Quick vertical and horizontal movement of arm
- Pneumatic locking

Powerful bead breaker side shovel

- Activated via lever instead of pedal
- Ergonomic control without sidesteps
- Quick and effective loosening of the bead
- Up to 15" tyre width
- Three-way adjustable blade
- Anti-skid rubber pad protects tyre and rim

Full control with three pedals and side inflation pedal

- Pedal control for rotation, column tilting, and clamping
- Removable pedal unit for easier maintenance
- Safety separator for rotation pedal
- Side inflation pedal

High rigidity by design

- Full metal pedals
- Powerful 50x50mm horizontal arm
- Metal front cover

TCX.PRO2: premium assistance column with compact design to handle hard UHP, run flat and larger tyres

- Premium bead roller to push bead in drop center
- Premium travelling bead pusher arm to keep bead in drop center during rotation
- Independent height adjustment of all tools for more flexibility and control

WDK-approved: Secure mounting and demounting of UHP and runflat tyres

Upgrade options:

- Side lift
- Tubeless inflation kit
- Roller board

Scope of deliveries:

- 5x front head protection
- 2x rear head protection
- 4x jaw protection
- WDK lever
- WDK mounting clamp RFT/UHP
- WDK rim protector
- Rim protection for lever
- Bead breaker blade protection
- Brush
- 400V plug

Note: unit comes fully assembled

TC45 | TI Version

Automatic tilt-back tyre changer | 10-27" working range | 15" standard bead breaker | jaw inflation technology | 400V

Article number: 1692401011



Square turntable with automatic centering jaws

- Clamping range from 10-27"
- Double 80mm cylinders for maximum clamping power
- 2 rotation speeds: 8 & 16 rpm
- Square shape for easier lever use

Robust mounting column and head

- Easy tilting via pedal
- Quick vertical and horizontal movement of arm
- Pneumatic locking

Powerful bead breaker side shovel

- Quick and effective loosening of the bead
- Up to 15" tyre width
- Three-way adjustable blade
- Controlled via pedal
- Anti-skid rubber pad protects tyre and rim

Full control with four pedals plus side inflation pedal

- Pedal control for rotation, side shovel, column tilting, and clamping
- Removable pedal unit for easier maintenance
- Safety separator for rotation pedal
- Side inflation pedal

High rigidity by design

- Full metal pedals
- Powerful 50x50mm horizontal arm
- Metal front cover

TI: Tire inflation via claws

- Fast and secure gripping of the bead on the rim
- Both hands free during inflation and bead seating
- Minimizes the risk of air leaks or tire bursts
- Easy tire inflation via claws
- 18-liter air tank

Upgrade options:

- TCX.PRO, PRO2 or PRO3 assistance column
- Side lift
- Tubeless inflation kit
- Roller board

Scope of deliveries:

- 5x front head protection
- 2x rear head protection
- Standard lever
- Brush
- 400V plug

Note: unit comes with disassembled pole

TC45 | TI Version

Automatic tilt-back tyre changer | 10-27" working range | 15" standard bead breaker | jaw inflation technology | 50-60Hz | 1 Speed

Article number: 1692401013



Square turntable with automatic centering jaws

- Clamping range from 10-27"
- Double 80mm cylinders for maximum clamping power
- One rotation speed: 7,5 rpm
- Square shape for easier lever use

Robust mounting column and head

- Easy tilting via pedal
- Quick vertical and horizontal movement of arm
- Pneumatic locking

Powerful bead breaker side shovel

- Quick and effective loosening of the bead
- Up to 15" tyre width
- Three-way adjustable blade
- Controlled via pedal
- Anti-skid rubber pad protects tyre and rim

Full control with four pedals plus side inflation pedal

- Pedal control for rotation, side shovel, column tilting, and clamping
- Removable pedal unit for easier maintenance
- Safety separator for rotation pedal
- Side inflation pedal

High rigidity by design

- Full metal pedals
- Powerful 50x50mm horizontal arm
- Metal front cover

TI: Tire inflation via claws

- Fast and secure gripping of the bead on the rim
- Both hands free during inflation and bead seating
- Minimizes the risk of air leaks or tire bursts
- Easy tire inflation via claws
- 18-liter air tank

Upgrade options:

- TCX.PRO, PRO2 or PRO3 assistance column
- Side lift
- Tubeless inflation kit
- Roller board

Scope of deliveries:

- 5x front head protection
- 2x rear head protection
- Standard lever
- Brush
- Plug

Note: unit comes with disassembled pole

AKIMBO MK2 | WDK

Leverless center-post tyre changer | 10-33" working range | double bead roller discs | laser positioning | integrated wheel lift | pedal inflation | pneumatic assistance arm | including BeadLock Pro | 230V
Article number: 1692401015



Leverless Demounting Group and Center Post Locking

- No contact with the rim
- Center hole clamping ensures firm grip of wheel
- Mechanical locking pin for high durability
- Optional clamping adapters for closed center rims

Automatic Adjustment to Rim Size

- Radial positioning of tools and both bead breaker discs with rim size
- Guided by laser to prevent tools from damaging rims
- Infinitely variable from 10 to 33" rims
- Automatically moves leverless tool and both bead breaking discs out of working zone with press of a button

Maximum Rigidity by Design

- Double column design prevents torsion and flexing during operation
- Rail-guided demounting tool and bead breaker discs for maximum stability
- Industrial components for high durability
- All tools controlled pneumatically, no Bowden cables

Integrated Center Wheel Lift

- Lifts wheels directly onto center post
- No moving or lifting of heavy wheel
- Allows technician to stay on one side of the machine
- Automatically descends with release of pedal
- Supports wheels up to 80kg

Pneumatic Bead Pushing Arm and Double Bead Breaker Discs

- Premium travelling bead pusher arm to keep bead in drop center during rotation

- Easier handling of UHP and runflat tyres
- Pusher arm mounted to column instead of tool arm to prevent tool movements when force is applied
- Bead breaker discs operated by two independent cylinders for more flexibility

Clean and Intuitive Operating Console:

- Minimal buttons to reduce complexity
- Joystick for better control of leverless demounting tool
- Separate button for rim size adjustment
- Ergonomic height

BeadLock Pro included:

- Prevents hard tyres from rotating on the rim
- Protects TPMS sensors during mounting phase.

Upgrade Options:

- Tubeless inflation kit
- Bottom mounting tool for soft tyres

WDK-Approved: Secure mounting and demounting of UHP and runflat tyres

Scope of deliveries:

- 1x BeadLock Pro
- 3x upper protection leverless tool
- 2x lower protection leverless tool
- 2x rubber protection center post
- 1x pin for reversed wheels
- 1x Brush
- 1x Plastic lever
- 1x WDK RFT/UHP bead clamp
- 230V plug

TC850 HD

Truck tyre changer | 14-30" rim size | 850mm rim width | 1200kg | 400V

Article number: 1692401008



The TC850 HD: The Ultimate Heavy-Duty Truck Tyre Changer
Self-Centering Chuck

- Four powerful jaws ensure perfect locking on rims of all shapes and profiles
- Rotates clockwise and anti-clockwise at 7rpm
- Opens and closes hydraulically with adjustable pressure
- Three grip zones, six different possibilities for clamping the rim

Powerful Mounting and Demounting Tool Arm

- Manual adjustment of the tool inclination and direction
- Simply rotate tool to switch between bead breaking roller and bead extraction
- Quick and manual movement of the tool arm closer to or further away from the wheel
- Get the tool arm completely out of the way with one simple move for better access to the wheel
- Powerful bead breaker with 25,000N force in & out

Robust and Intuitive Cable Remote

- Joystick 1 (up & down): Wheel up and wheel down
- Joystick 1 (left and right): Movement of tool carriage
- Joystick 2: Open and close jaws
- Left pedal: rotate anti-clockwise
- Right pedal: rotate clockwise
- Freely movable inside complete working area

Superior Versatility

- Effortlessly handles rims up to 30" diameter
- Covers wheels up to 1640mm in diameter and 850mm in width
- Built to handle weights up to 1200kg

Note: For maximum safety, holes for floor fixation are pre-drilled

in the factory by default.

Scope of deliveries:

- Truck mounting lever
- Rim clamp
- 5,3m cable
- 400V plug

TC1150 HD

Truck tyre changer | 14-42" rim size | extendable up to 56" | 1150mm rim width | 2000kg | 400V

Article number: 1692401009



The TC1150 HD: The ultimate heavy-duty truck tyre changer Self-centering chuck

- Four powerful jaws ensure perfect locking on rims of all shapes and profiles
- Rotates clockwise and anti-clockwise at 4.5 to 9 rpm
- Opens and closes hydraulically with adjustable pressure
- Five grip zones, six different possibilities for clamping the rim

Powerful mounting and demounting tool arm

- Manual adjustment of the tool inclination and direction
- Simply rotate tool to switch between bead breaking roller and bead extraction
- Quick and manual movement of the tool arm closer to or further away from the wheel
- Get the tool arm completely out of the way with one simple move for better access to the wheel
- Powerful bead breaker with 25,000N force in & out

Robust and intuitive cable remote

- Joystick 1 (up & down): Wheel up and wheel down
- Joystick 1 (left and right): Movement of tool carriage
- Joystick 2: Open and close jaws
- Left pedal: rotate anti-clockwise
- Right pedal: rotate clockwise
- Freely movable inside complete working area

Superior versatility

- Effortlessly handles rims up to 42" diameter, extendable up to 56"
- Covers wheels up to 2300mm in diameter and 1150mm in width
- Built to handle weights up to 2000kg

Note: For maximum safety, holes for floor fixation are pre-drilled in the factory by default.

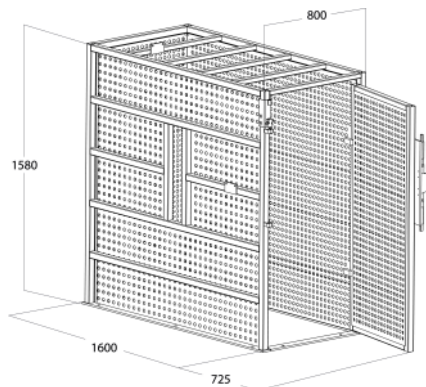
Scope of deliveries:

- Truck mounting lever
- Rim clamp
- 5,3m cable
- 400V plug

Inflation Cage | for truck tyres

Safe inflation of truck tyres of up to 1450mm in diameter

Article number: 1692402000



Safety First!

Protects user during inflation of industrial tyres with a diameter of up to 1450mm.

The special type of perforated mesh enclosing the structure minimizes the shock wave which might be generated by a tyre burst.

Scope of delivery:

- Inflation cage
- Inflation gun

Note: Electronic inflation control needs to be ordered separately.

Standard Service



TC22

Article number: 1692401000



TC22 Pro | WDK

Article number: 1692401001

High Volume



TC45

Article number: 1692401002



TC45 Pro | WDK

Article number: 1692401003



TC45 Pro2 | WDK

Article number: 1692401004



TC45 | TI Version

Article number: 1692401011



TC45 | TI Version

Article number: 1692401013

Premium Service



AKIMBO MK2 | WDK

Article number: 1692401015

Truck



TC850 HD

Article number: 1692401008



TC1150 HD

Article number: 1692401009



Inflation Cage | for truck tyres

Article number: 1692402000

IMPORTANT NOTES

- Please notice: This list contains spare parts, too.
- Without instruction or assembly.
- Delivery ex works including packaging.

VERSION 2026.05.12 – PRICES ON REQUEST

- Starting from now all previous lists will lose their validity.
- Please read our general terms and conditions in the latest version before ordering; to be found under www.beissbarth.com.

Order number 1 693 602 008 **Print norm** BB XXX / XX.XX.2020 DE · Subject to technical and program changes, errors excepted.

Beissbarth Automotive Testing Solutions GmbH

Friedrichshafener Str. 602
82205 Gilching, Germany
sales@beissbarth.com
www.beissbarth.com

Telefon: +49-(0)89-14901-0
Telefax: +49-(0)89-14901-246

