

Dialogannahme

CLAMPING - ACCESSORIES

Version 2026.05.12 – Prices on request

Plug-in stud short taper | spring-loaded | Ø 24.5 mm | 100 mm

Article number: 1695656834



Head rounded head | Ø 24.5 mm | 48 mm

Total length (incl. head) 100 mm

Article number: 1695655310



Head long taper | Ø 22.5 mm | 58 mm

Article number: 1695655313



Centering sleeve | for BMW | Ø 66,5mm

Article number: 1695600214



Type Plate | BMW | 5x112 / 5x120mm

Article number: 1695600215



Clamping type: Manual / Pneumatic
For wheel types: BMW OEM rims with bolt circle 5x112 and 5x120
Required for: Clamping the wheel from the outside via the wheel bolt holes
Application: Wheels are clamped and centered from the outside using a BMW type plate via the wheel bolt holes.
Use in conjunction with:

- Centering bolts, L=100mm, spring-loaded, long taper Ø 24.5mm (1695656834)
- Pneumatic sleeve with thread (1692502209)
- ProGrip quick release wing nut with thread (1692502195)

Quantity: 1
Number required per wheel: 1

Scope of delivery: 1x Type plate 5x112 / 5x120

O-rings for Ø 12 mm locking pins (5x) | für Typenspannplatten

Article number: 1692502254



Three arm flange for light trucks | incl. nuts and bolts

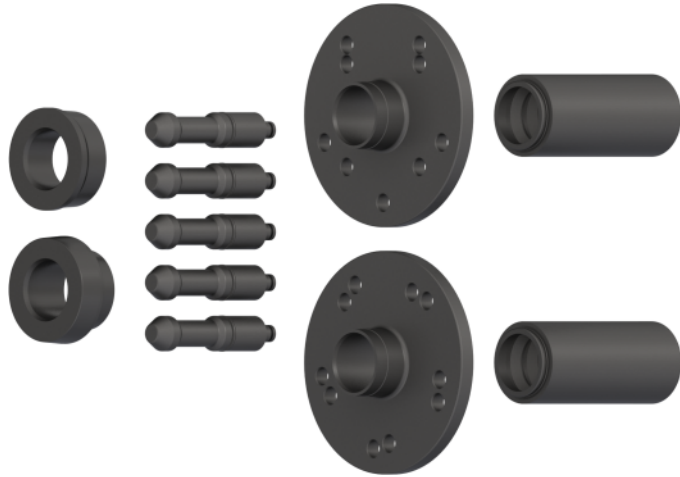
Article number: 1695653420



Wheel centering kit for special pneumatic flange for BMW | MT Zero 6 & 8 Pneumatic

1x Centering sleeve $\varnothing 66,5\text{mm}$, 1x Centering sleeve $\varnothing 56-57/72,5-74\text{mm}$, 5x Centering bolt, spring-loaded, 100mm long, long taper, 1x Flange plate adaptor 4x100/5x120, 1x Flange plate adaptor 5x112/120, 2x Pressure piece pneumatic $\varnothing 40$,

Article number: 1695657004



- 1x Centering sleeve $\varnothing 66,5\text{mm}$
- 1x Centering sleeve $\varnothing 56-57/72,5-74\text{mm}$
- 5x Centering bolt, spring-loaded, 100mm long, long taper
- 1x Flange plate adaptor 4x100/5x120
- 1x Flange plate adaptor 5x112/120
- 2x Pressure piece pneumatic $\varnothing 40$

Centering kit 4-arm and 5-arm star | for truck

For centering wheels with 8 holes on \varnothing 275 / 285.75 mm and 10 holes on \varnothing 225 / 285.75 / 335 mm | set consisting of 5 - arm and 4 - arm stars, centering adapter, stud bolts and screws

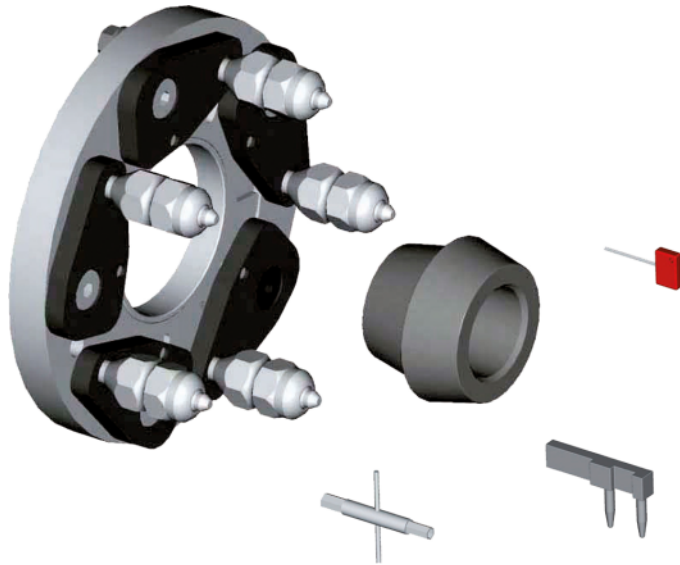
Article number: 1692502026



Universal 3-4-5-6-hole adapter | Ø 95 - 120 mm

Universal adapter for all wheels with 3, 4, 5, and 6 holes (bolt circle Ø 95-120 mm).

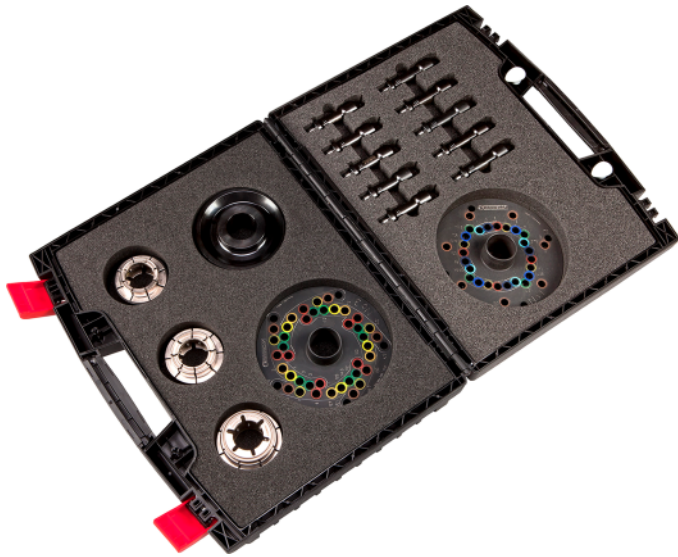
Article number: 1692502037



- Includes double centering cone
- For wheels with/without center hole (Renault, Peugeot, and Citroën)
- Reduces clamping errors to a minimum

All-in-One Centering Kit | Duo Expert 54-78mm | 4x4 | Flange Plates No.1 & 3

Article number: 1695656570



Professional Centering Kit: The Benchmark for Tolerance-Free Balancing This complete package combines the advantages of center-hole centering and bolt-hole centering to precisely simulate the wheel's actual fit on the vehicle hub. The result: maximum smoothness, satisfied customers, and zero vibration-related complaints.

Components and Benefits:

Duo Expert I – III (Clamping range 54 – 78 mm) Perfectly centered is halfway balanced

- **Tolerance-free mounting:** Unlike conventional cones, Duo Expert centering collets fill the center hole of the rim without any play
- **Hub simulation:** Many vehicle manufacturers mandate this cylindrical centering because it accurately replicates the fit on the wheel hub
- **No tilting:** The rim sits perfectly flush against the flange, effectively preventing "run-out" errors

4x4 Cone (89 – 132 mm) The solution for the "Big Ones"

- **Maximum flexibility:** Specifically developed for off-roaders, SUVs, and light commercial vehicles (LCVs) with large center-hole diameters.
- **Secure hold:** Ensures stable centering on the balancer shaft, even for heavy wheel-tire combinations.

Type Flange Plates (No. 1 & No. 3) For perfect mounting from the outside

- **Gentle clamping:** Power is transmitted via the bolt holes—exactly like on the vehicle. This prevents scratches on the rim surface that can be caused by standard pressure cups.
- **Precision finish:** Combined with Duo Expert collets, the wheel

is centered from both inside and outside (center and bolt holes), eliminating even the smallest imbalances.

- **Versatility:** Flange plates No. 1 and 3 cover the most common bolt patterns, making this set a true all-rounder for daily workshop use.

Why this kit makes the difference: While standard mounting equipment often compromises on precision, this set guarantees "balancing like on the vehicle." Especially for modern vehicles with sensitive suspensions, this technology is essential to avoid steering wheel vibrations. **The Result:** An optimally mounted wheel, minimal weights, and a first-class driving experience.

Clamping - Accessories



Plug-in stud short taper | spring-loaded | Ø 24.5 mm | 100 mm

Article number: 1695656834



Head rounded head | Ø 24.5 mm | 48 mm

Article number: 1695655310



Head long taper | Ø 22.5 mm | 58 mm

Article number: 1695655313



Centering sleeve | for BMW | Ø 66,5mm

Article number: 1695600214



Type Plate | BMW | 5x112 / 5x120mm

Article number: 1695600215



O-rings for Ø 12 mm locking pins (5x) | für Typenspannplatten

Article number: 1692502254



Three arm flange for light trucks | incl. nuts and bolts

Article number: 1695653420



Wheel centering kit for special pneumatic flange for BMW | MT Zero 6 & 8 Pneumatic

Article number: 1695657004



Centering kit 4-arm and 5-arm star | for truck

Article number: 1692502026



Universal 3-4-5-6-hole adapter | Ø 95 - 120 mm

Article number: 1692502037



All-in-One Centering Kit | Duo Expert 54-78mm | 4x4 | Flange Plates No.1 & 3

Article number: 1695656570

IMPORTANT NOTES

- Please notice: This list contains spare parts, too.
- Without instruction or assembly.
- Delivery ex works including packaging.

VERSION 2026.05.12 – PRICES ON REQUEST

- Starting from now all previous lists will lose their validity.
- Please read our general terms and conditions in the latest version before ordering; to be found under www.beissbarth.com.

Order number 1 693 602 008 **Print norm** BB XXX / XX.XX.2020 DE · Subject to technical and program changes, errors excepted.

Beissbarth Automotive Testing Solutions GmbH

Friedrichshafener Str. 602
82205 Gilching, Germany
sales@beissbarth.com
www.beissbarth.com

Telefon: +49-(0)89-14901-0
Telefax: +49-(0)89-14901-246

