

Dialogannahme



TRUCK BRAKE TESTING - ACCESSORIES

Version 2026.04.25 – Prices on request

Pneumatic connection hose | Truck | APS 3

Spare part for connecting the APS3 pressure sensors. Length: 200 mm

Article number: 1693770663



Measurement range: 20 bar Length: 200 mm Length with fittings: 250 mm Connection 1: NW5 coupling Connection 2: Wing nut M16 × 1.5

Speedsensor for MB 8x00 with 1000 mm rollers

For upgrading to the new truck generation when the installed brake tester does not have speed sensors yet

Article number: 1691811484

Kit Display NTG | Upgrade to new generation

For upgrading to the new truck generation when the installed brake tester has an analogue display that will continue to be used

Article number: 1691810760

Lift upgrade kit to NTG | Upgrade to new generation

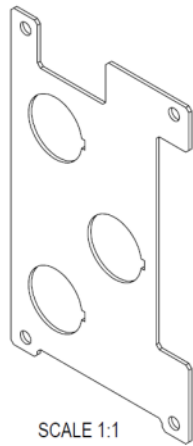
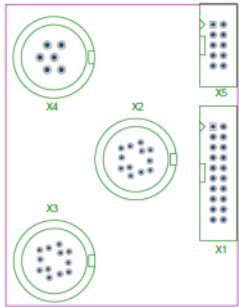
For upgrading to the new truck generation when the installed unit is a MB 8200 with hydraulic lifting device

Article number: 1691810761

Kit Interface for MB 8xxx | Upgrade to new generation

For upgrading from 8xxx to the new truck generation

Article number: 1691810759



Kit-Drive over plate BD 844x / 1300 mm

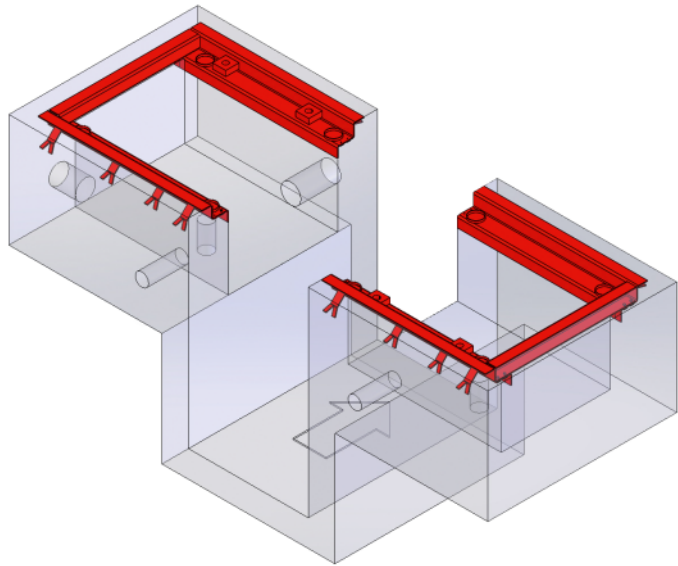
4 pieces, 2 pieces per side

Article number: 1691810740



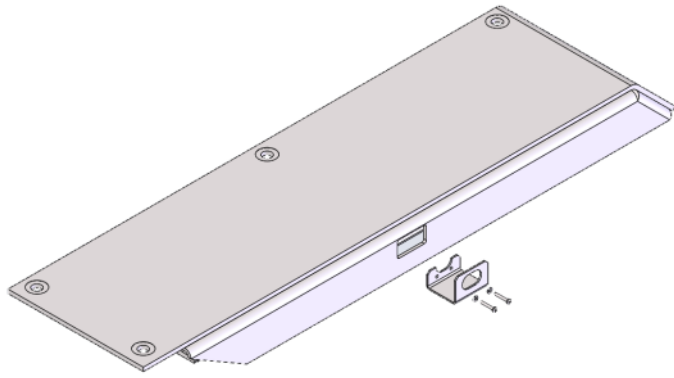
Built-in frame BD 8xxx / 1100 mm | separated, with pit

Article number: 1691810762



Retrofit set for VDO tachograph test BD 6xxx | left

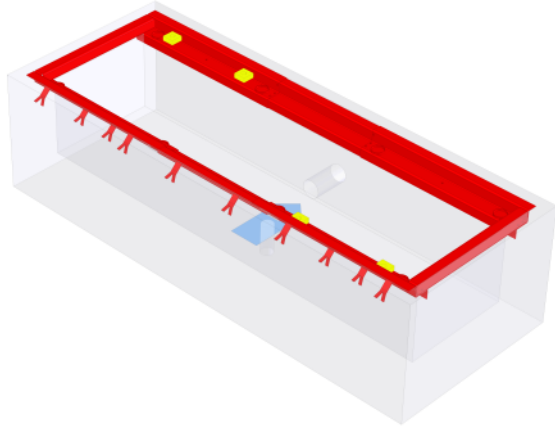
Article number: 1691811539



Built-in frame BD 8xxx / 1300 mm | track width 3200 mm | non-separated (w/o pit)

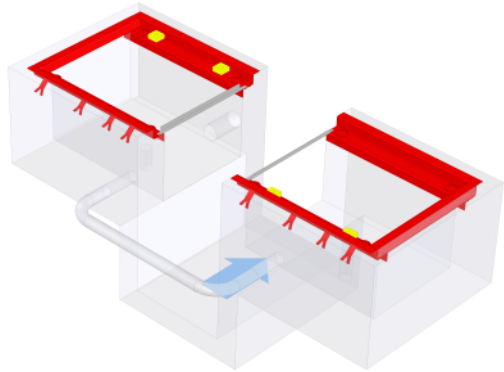
For track width 3200 mm

Article number: 1691810766



Built-in frame BD 8xxx / 1300 mm | for pit use

Article number: 1691810763



Adaptation kit for Semmler Tachocontrol BD6xxx | left

1 x sensing roller support for Semmler rolls, 1 x fixing light barrier

Article number: 1691811126



Adaptation kit for Semmler Tachocontrol BD8xxx | 18 to

1 x sensing roller support for Semmler rolls, 1 x fixing light barrier

Article number: 1691810737



Speedsensor for MB 8x00 with 1100mm rollers

For upgrading to the new truck generation when the installed brake tester does not have speed sensors yet

Article number: 1691811485

Speedsensor for MB 8815

For upgrading to the new truck generation when the installed brake tester does not have speed sensors yet

Article number: 1691881023

Air pressure sensor Px universal | for APS3

Single wireless air pressure sensor for expanding the APS3 to axles 3 to 6 or for replacing existing air pressure sensors PM, P1, or P2.

Article number: 1693770659



Single wireless air pressure sensor for expanding the APS3 to axles 3 to 6 or for replacing existing air pressure sensors PM, P1, or P2.

Kit 4x drive-over plates | BD7xxx

Article number: 1691880704



Kit 4x drive-over plates | BD6xxx & BD8xxx | 1000mm & 1100mm

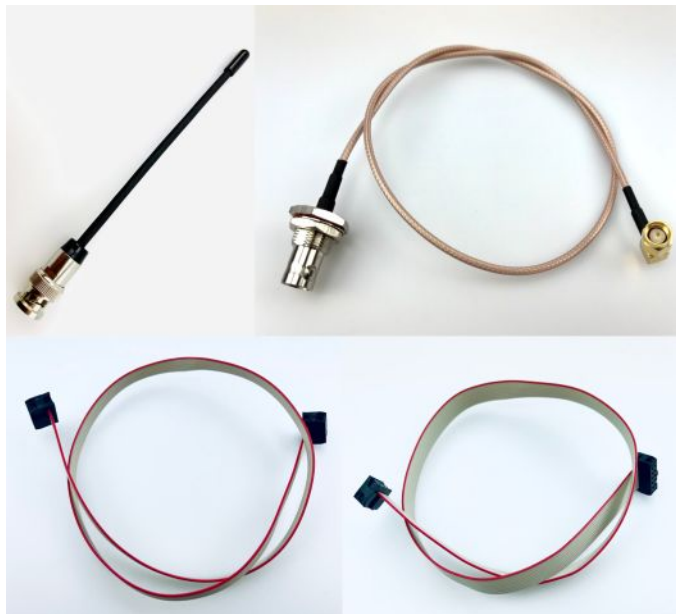
Article number: 1691810717



ASA/APS3 wireless connection kit | Truck | 433Mhz

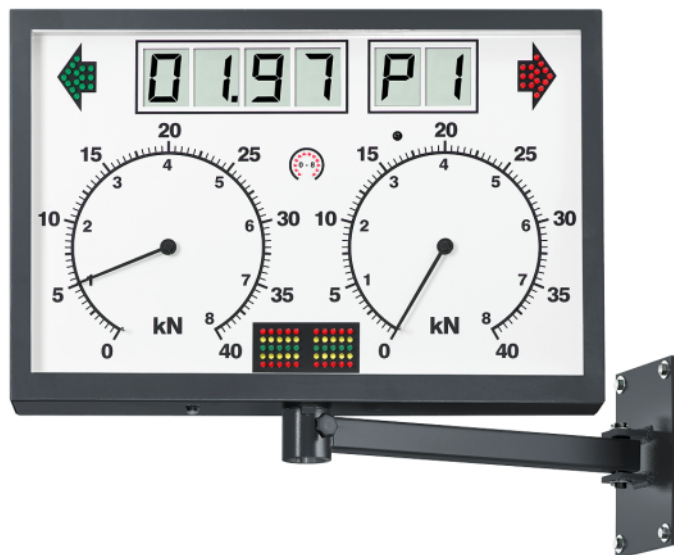
For integrating APS3 wireless pressure sensors directly into ASA livestream. Also allows the use of wireless APS3 pressure sensors and pedal force meters with older models of the MB 8815, MB 8100 or STL 9000 generation. Installed in the control cabinet to establish a wireless connection at 433 MHz.

Article number: 1693770673



Display RAL 7016 | analog, rectangular | LCD, swivel arm, IR receiver

Article number: 1691810750

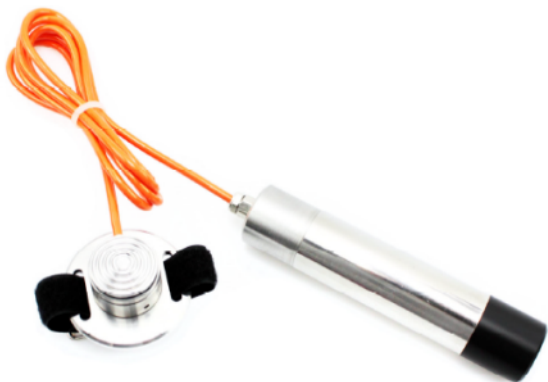


Scope of delivery: Analog display incl. 30 m B-Net cable

Pedal force meter | APS3

For wireless measurement of pedal force for the BD6 and BD8 truck brake testers. Requires the APS3 Starter Kit 1693770658.

Article number: 1693770662



Measuring range: 0 - 1000N
Resolution: 0.1N
Accuracy: 0.5% of full scale value
Weight: approx. 490g
Power supply: 12V DC
Connection cable: 2m
Radio: 433Mhz, range 30m
Battery: Li-Po with 700mAh

Air pressure sensors | Truck | APS 3

Measurement of pneumatic pressure values in truck or trailer braking systems with wireless data transmission

Article number: 1693770658



APS 3: Truck air pressure sensors

- Measurement of pneumatic and hydraulic pressure values in truck or trailer braking systems
- Measurement of pedal forces on actuation of service or parking brake
- Radio transmission of the measured values to the brake tester control system

Compact and robust design for mobility uses

- Compact and robust design for daily use in the underbody of trucks
- Pneumatic quick-release coupling system for a simplified use
- Immediate sensor activation by removing it from the charging station
- Capable of using up to 10 sensors (PM, PX, Pedal)
- ICperform garage Truck Software can manage up to 6 axles (6 PX, 1 PM)
- All axles of a vehicle can be tested in one test cycle
- The receiver constantly requests the measured values of all the connected air pressure sensors
- RF receiver with USB connection for wireless data transfer to the brake tester control system
- Pneumatic 20 bar

USB-COM Converter | Upgrade to new generation

For upgrading to the new truck generation when the installed brake tester has wireless air pressure sensors

Article number: 1693770583

Mounting bracket | Upgrade to new generation

For upgrading to the new truck generation when the installed brake tester has wireless air pressure sensors

Article number: 1691811712

Basic Set MRS 433 | Upgrade to new generation

For upgrading to the new truck generation when the installed brake tester has wireless air pressure sensors

Article number: 1691802107

Axle weight upgrade from 4- to 8-point scale | for BD 6xxx / MB 8x00

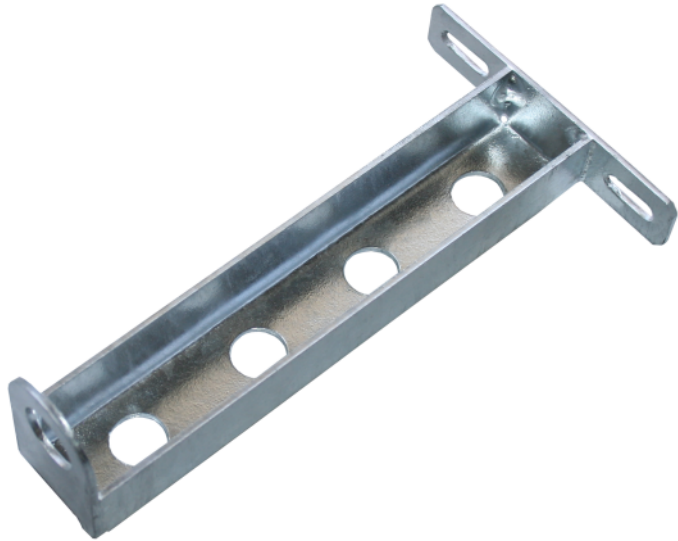
For upgrading to the new truck generation when the installed brake tester has only 4-point weight system sensors

Article number: 1691812198

Adaptation kit for tachograph test with proximity switch BD8xxx | 18 to

1 x fixing light barrier

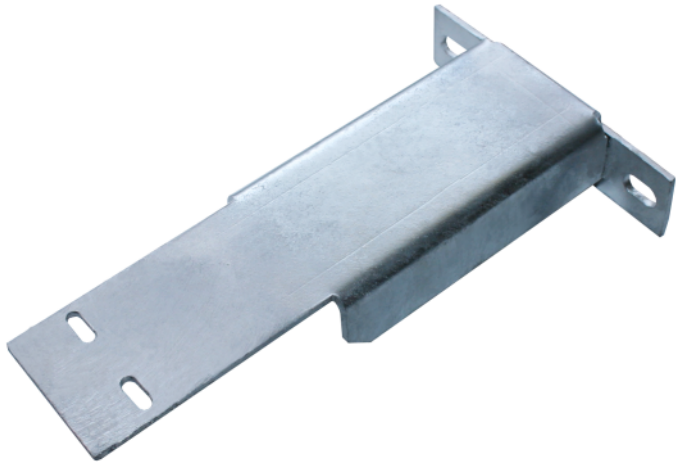
Article number: 1691810736



Adaptation kit for Semmler Tachocontrol BD7xxx | 13 to

1 x sensing roller support for Semmler rolls, 1 x fixing light barrier

Article number: 1691880706



Warn-System for air pressure sensors

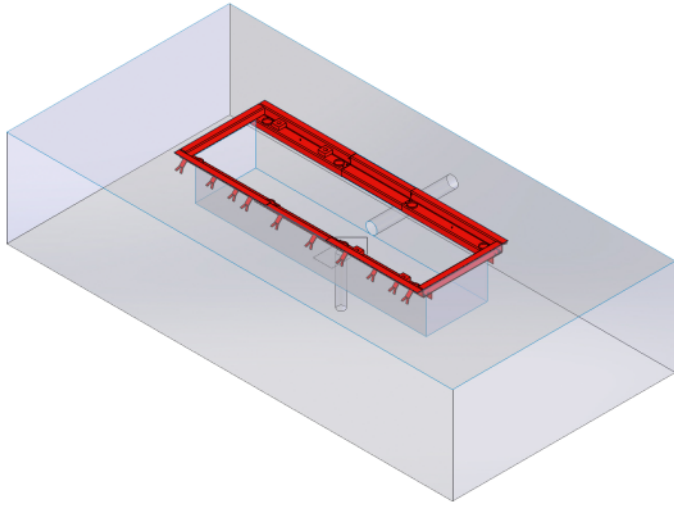
Article number: 1691810735



Built-in frame BD 7xxx / 1000 mm / 13 to | track width 2800 mm | non-separated (w/o pit)

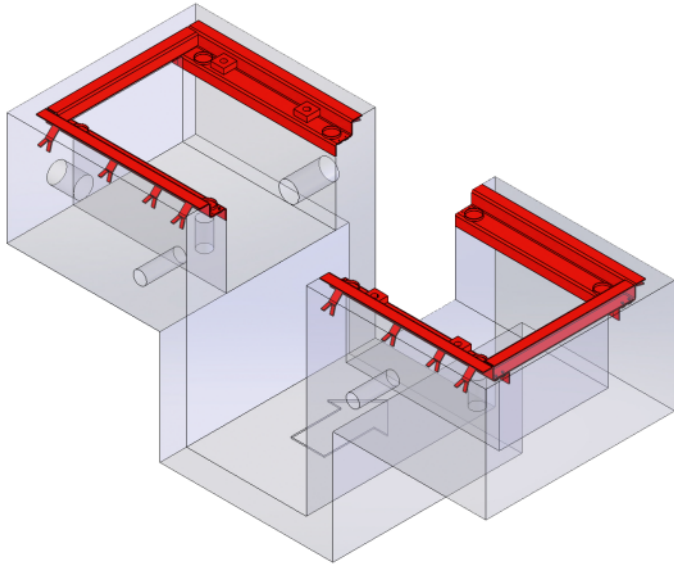
For track width 2800 mm

Article number: 1691880702



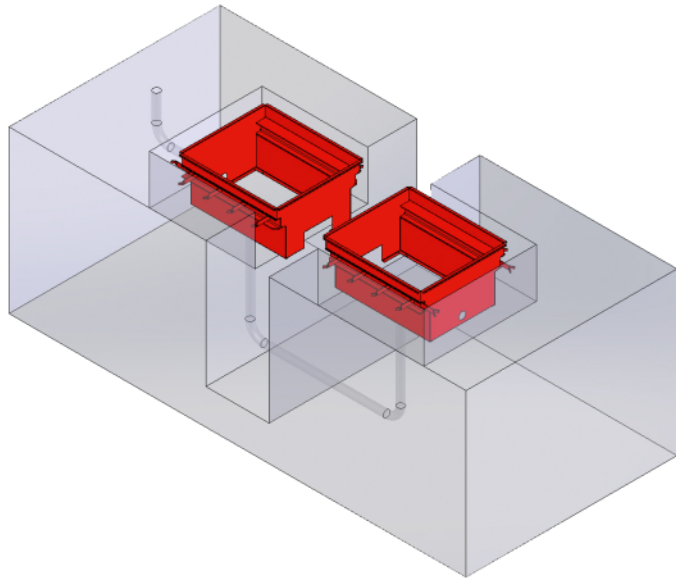
Built-in frame BD 7xxx / 1000 mm / 13 to | separated, with pit

Article number: 1691880700



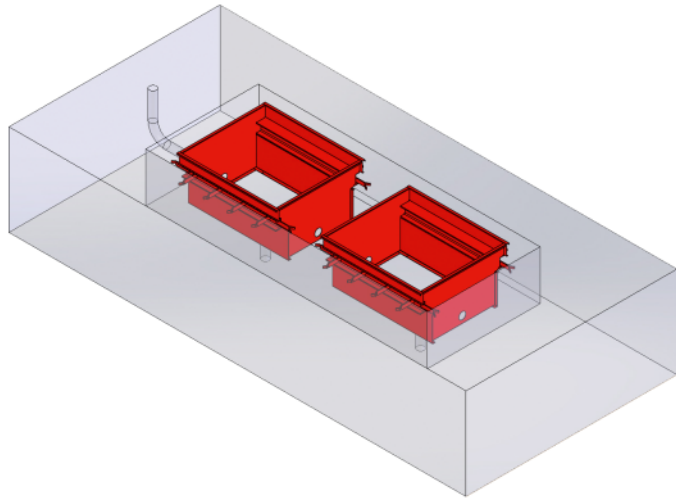
Assembling case BD 6xxx / 1100 mm | with pit

Article number: 1691811084



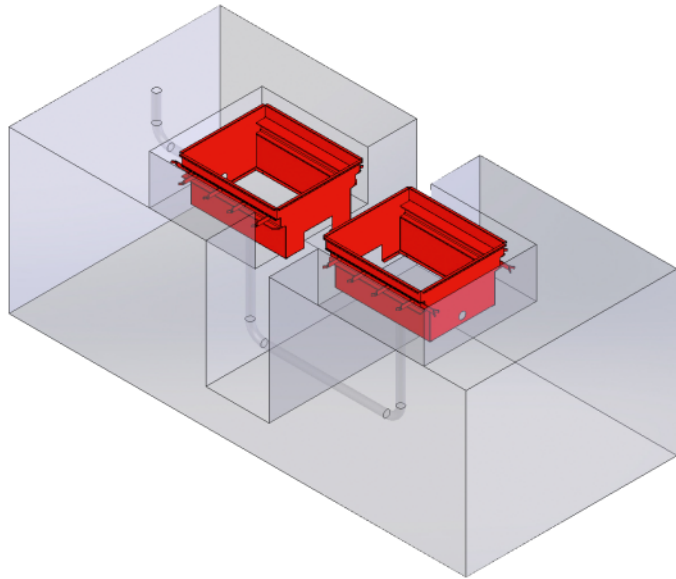
Assembling case BD 6xxx / 1100 mm | without pit

Article number: 1691811083



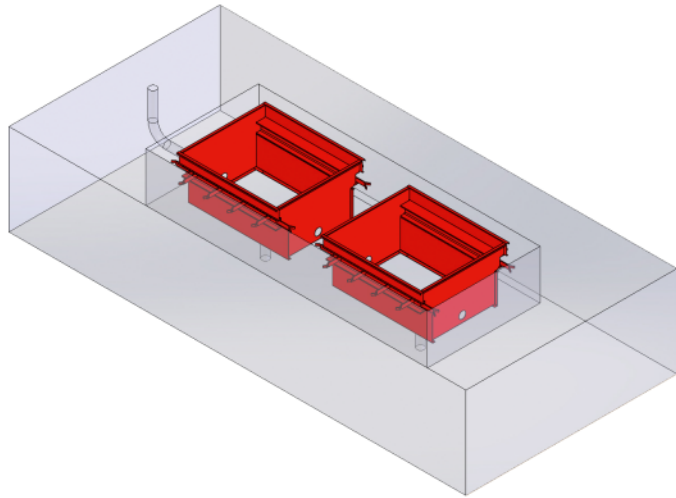
Assembling case BD 6xxx / 1000 mm | with pit

Article number: 1691811082



Assembling case BD 6xxx / 1000 mm | without pit

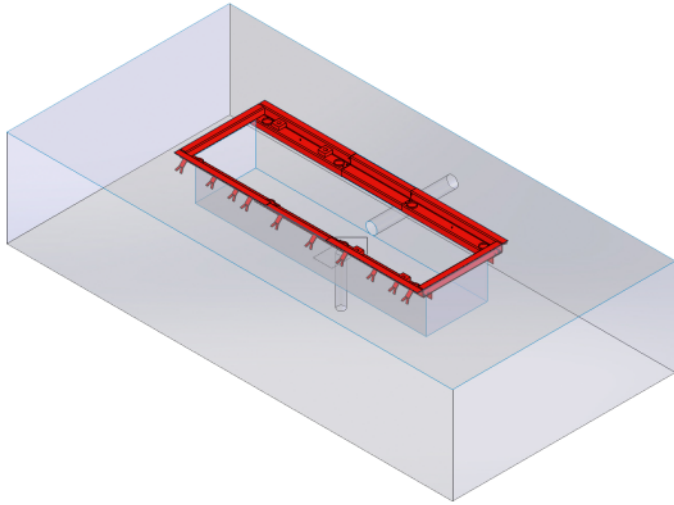
Article number: 1691811081



Built-in frame BD 7xxx / 1000 mm / 13 to | track width 2900 mm | non-separated (w/o pit)

For track width 2900 mm

Article number: 1691880703



Remote Control for load simulation

Article number: 1691810701



IR Kit Truck

Receiver RS232, Remote Control, battery

Article number: 1691810702



IR remote control Truck

Article number: 1691810704



- Incl. battery

Alternatively, operation via tablet app is possible.

Tablet-App

Article number: 1691810756

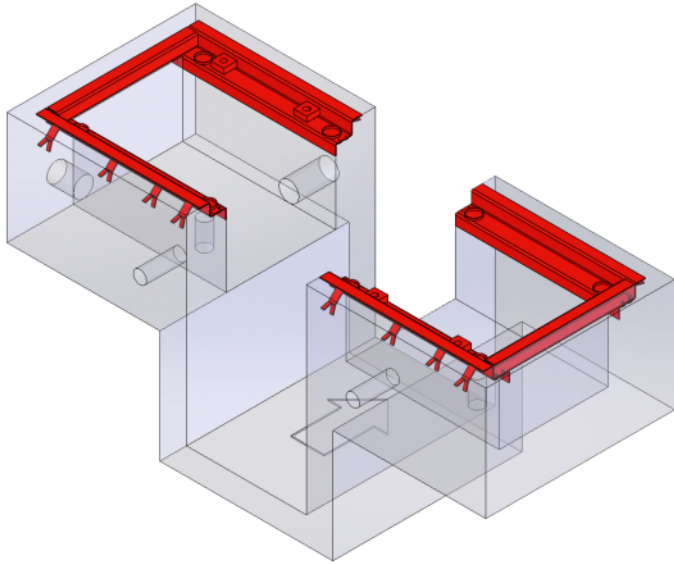


System requirements:

- Operating system: Android ab 5.0
- Minimum size: 8"
- Recommended size: 9.6"
- Width-to-height ratio: 16:9 or 16:10
- Basic requirement: WLAN network with router

Built-in frame BD 8xxx / 1000 mm / 18 to | separated, with pit

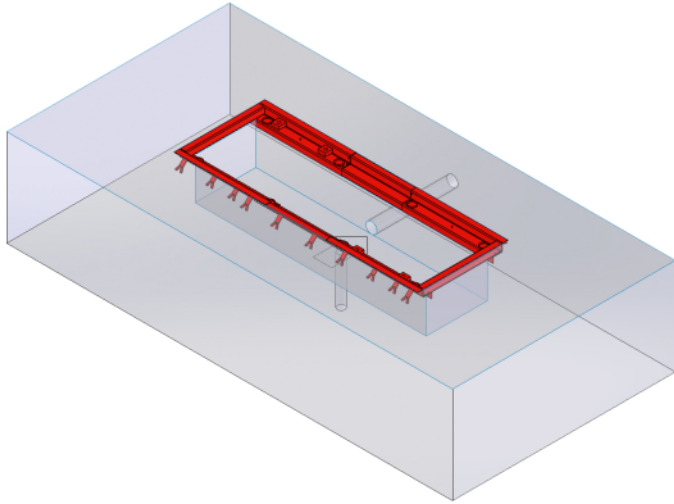
Article number: 1691810713



Built-in frame BD 8xxx / 1000/1100 mm | track width 3000 mm | non-separated (w/o pit)

For track width 3000 mm

Article number: 1691810714



Wired pedal force tester APS1 | PD

Article number: 1691810734



Wired air pressure sensor APS1 | basic set - PM / PX1

Article number: 1691810733



8-point scale BD 7xxx / BD 8xxx

Article number: 1691810718



Depending on configuration already included.

Axle weight 8-point scale | for BD 6xxx / MB 8x00

For upgrading to the new truck generation when the installed brake tester has no weight system sensors

Article number: 1691801012



Standard-Software Truck | ICperform

Each configuration requires a license

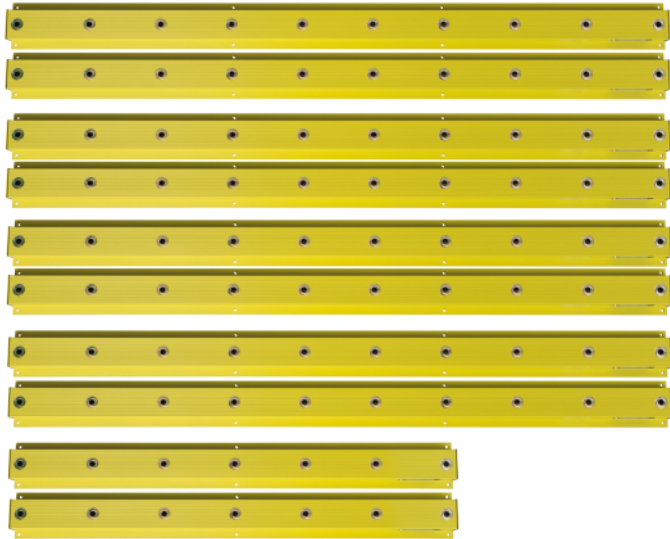
Article number: 1691810741



Pit safety PSC2 | cross | 2,5/2,5m

2.5 m safety area front and behind roll sets

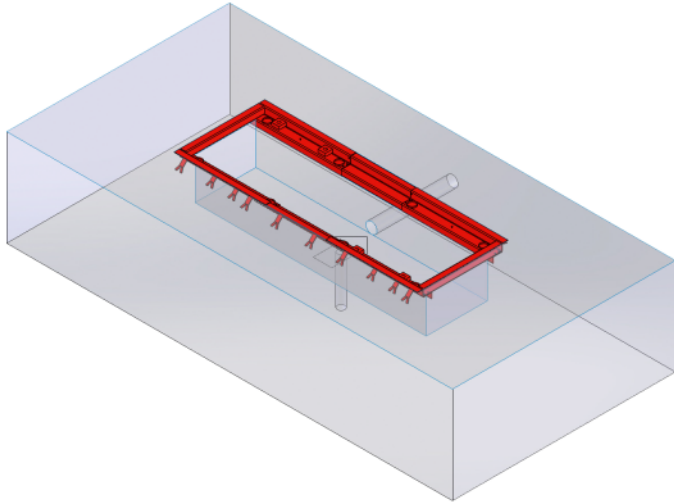
Article number: 1691810725



Built-in frame BD 8xxx / 1000/1100 mm | track width 3100 mm | non-separated (w/o pit)

For track width 3100 mm

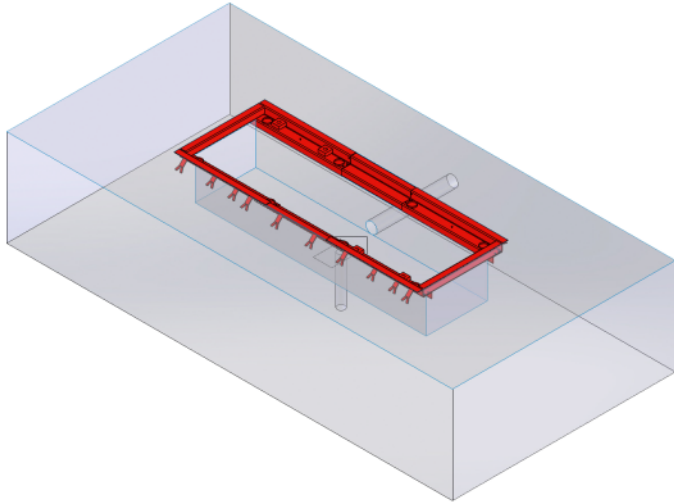
Article number: 1691810715



Built-in frame BD 8xxx / 1000/1100 mm | track width 3200 mm | non-separated (w/o pit)

For track width 3200 mm

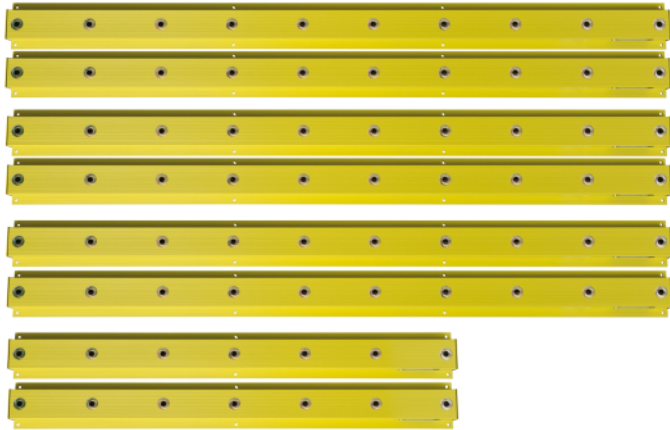
Article number: 1691810716



Pit safety PSC2 | cross | 1,5/2,5m

1.5 m safety area front roll sets and 2.5 m safety area behind roll sets

Article number: 1691810724



Monitor holder 22 - 35"

Includes only the monitor holder (Monitor not included)

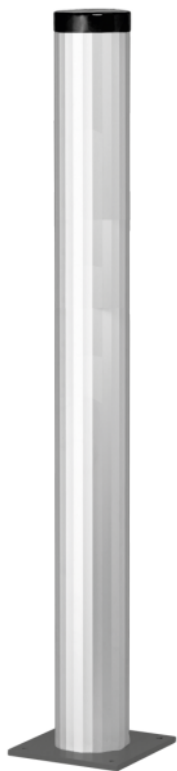
Article number: 1693740911



Stand column aluminium | RAL 7016 | for TV Monitor / rectangular analog display

Alternative to wall mounting, mounting solution for TV monitors or square analogue displays | TV adapter for stand column / swivel arm (item no. 1 691 810 722) is also required to attach a TV monitor!

Article number: 1691810722



PC For Test Lanes

Windows 10 IoT Enterprise LTSC 2021, 2x RS232, 8x USB, VGA, HDMI, 2x Display Port, LAN, 350Watt, Intel Pentium Gold G7400, 8GB DDR5-RAM, 512GB SSD

Article number: 1691810703



System requirements when using your separate PC:

- Operating System: Windows 10, Windows 11 Professional
- Processor: Minimum Intel Pentium, 12th generation, 3 GHz
- Memory (RAM): Minimum 8 GB DDR5
- Storage: Minimum 512 GB SSD
- USB Ports: Minimum 6x
- Serial Port: Optional 1x (when using the infrared remote control)
- LAN Port: Minimum 1x

PC gear pack for PC cabinet Standard

Full PC equipment | incl. PC, monitor, monitor holder, mouse, keyboard and printer

Article number: 1691810743



PC cabinet Standard | empty

Moving trolley enables the best arrangement and positioning of all PC components | Empty trolley! To add PC component you can additionally order 1 691 810 743.

Article number: 1691811250



Monitor holder 17 - 27"

Includes only the monitor holder (Monitor not included)

Article number: 1693740884



Digital calibration kit for brake tester

Digital calibration kit with transport suitcase, digital sensor and calibration manual

Article number: 1691601392



Truck Brake Testing - Accessories



Pneumatic connection hose | Truck | APS 3

Article number: 1693770663

Speedsensor for MB 8x00 with 1000 mm rollers

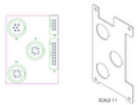
Article number: 1691811484

Kit Display NTG | Upgrade to new generation

Article number: 1691810760

Lift upgrade kit to NTG | Upgrade to new generation

Article number: 1691810761



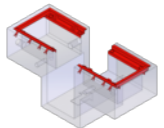
Kit Interface for MB 8xxx | Upgrade to new generation

Article number: 1691810759



Kit-Drive over plate BD 844x / 1300 mm

Article number: 1691810740



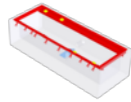
Built-in frame BD 8xxx / 1100 mm | separated, with pit

Article number: 1691810762



Retrofit set for VDO tachograph test BD 6xxx | left

Article number: 1691811539



Built-in frame BD 8xxx / 1300 mm | track width 3200 mm | non-separated (w/o pit)

Article number: 1691810766



Built-in frame BD 8xxx / 1300 mm | for pit use

Article number: 1691810763



Adaptation kit for Semmler Tachocontrol BD6xxx | left

Article number: 1691811126



Adaptation kit for Semmler Tachocontrol BD8xxx | 18 to

Article number: 1691810737

Speedsensor for MB 8x00 with 1100mm rollers

Article number: 1691811485

Speedsensor for MB 8815

Article number: 1691881023

Air pressure sensor Px universal | for APS3

Article number: 1693770659



Kit 4x drive-over plates | BD7xxx

Article number: 1691880704



Kit 4x drive-over plates | BD6xxx & BD8xxx | 1000mm & 1100mm

Article number: 1691810717



ASA/APS3 wireless connection kit | Truck | 433Mhz

Article number: 1693770673



Display RAL 7016 | analog, rectangular | LCD, swivel arm, IR receiver

Article number: 1691810750



Pedal force meter | APS3

Article number: 1693770662



Air pressure sensors | Truck | APS 3

Article number: 1693770658

USB-COM Converter | Upgrade to new generation

Article number: 1693770583

Mounting bracket | Upgrade to new generation

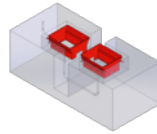
Article number: 1691811712

Basic Set MRS 433 | Upgrade to new generation

Article number: 1691802107

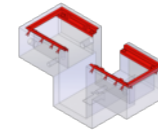
Axle weight upgrade from 4- to 8-point scale | for BD 6xxx / MB 8x00

Article number: 1691812198



Assembling case BD 6xxx / 1000 mm | with pit

Article number: 1691811082



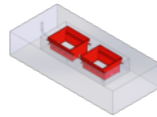
Built-in frame BD 8xxx / 1000 mm / 18 to | separated, with pit

Article number: 1691810713



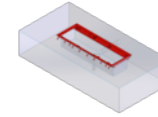
Adaptation kit for tachograph test with proximity switch BD8xxx | 18 to

Article number: 1691810736



Assembling case BD 6xxx / 1000 mm | without pit

Article number: 1691811081



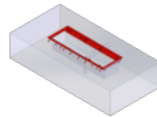
Built-in frame BD 8xxx / 1000/1100 mm | track width 3000 mm | non-separated (w/o pit)

Article number: 1691810714



Adaptation kit for Semmler Tachocontrol BD7xxx | 13 to

Article number: 1691880706



Built-in frame BD 7xxx / 1000 mm / 13 to | track width 2900 mm | non-separated (w/o pit)

Article number: 1691880703



Wired pedal force tester APS1 | PD

Article number: 1691810734



Warn-System for air pressure sensors

Article number: 1691810735



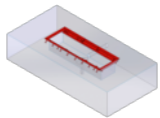
Remote Control for load simulation

Article number: 1691810701



Wired air pressure sensor APS1 | basic set - PM / PX1

Article number: 1691810733



Built-in frame BD 7xxx / 1000 mm / 13 to | track width 2800 mm | non-separated (w/o pit)

Article number: 1691880702



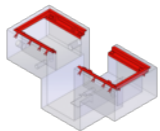
IR Kit Truck

Article number: 1691810702



8-point scale BD 7xxx / BD 8xxx

Article number: 1691810718



Built-in frame BD 7xxx / 1000 mm / 13 to | separated, with pit

Article number: 1691880700



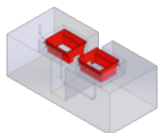
IR remote control Truck

Article number: 1691810704



Axle weight 8-point scale | for BD 6xxx / MB 8x00

Article number: 1691801012



Assembling case BD 6xxx / 1100 mm | with pit

Article number: 1691811084



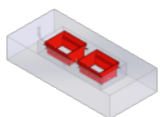
Tablet-App

Article number: 1691810756



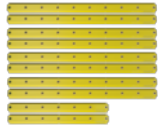
Standard-Software Truck | ICperform

Article number: 1691810741

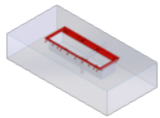


Assembling case BD 6xxx / 1100 mm | without pit

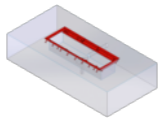
Article number: 1691811083



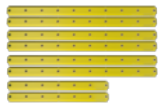
Pit safety PSC2 | cross | 2,5/2,5m
Article number: 1691810725



Built-in frame BD 8xxx / 1000/1100 mm | track width 3100 mm | non-separated (w/o pit)
Article number: 1691810715



Built-in frame BD 8xxx / 1000/1100 mm | track width 3200 mm | non-separated (w/o pit)
Article number: 1691810716



Pit safety PSC2 | cross | 1,5/2,5m
Article number: 1691810724



Monitor holder 22 - 35"
Article number: 1693740911



Stand column aluminium | RAL 7016 | for TV Monitor / rectangular analog display
Article number: 1691810722



PC For Test Lanes
Article number: 1691810703



PC gear pack for PC cabinet Standard
Article number: 1691810743



PC cabinet Standard | empty
Article number: 1691811250



Monitor holder 17 - 27"
Article number: 1693740884



Digital calibration kit for brake tester
Article number: 1691601392

IMPORTANT NOTES

- Please notice: This list contains spare parts, too.
- Without instruction or assembly.
- Delivery ex works including packaging.

VERSION 2026.04.25 – PRICES ON REQUEST

- Starting from now all previous lists will lose their validity.
- Please read our general terms and conditions in the latest version before ordering; to be found under www.beissbarth.com.

Beissbarth Automotive Testing Solutions GmbH

Friedrichshafener Str. 602
82205 Gilching, Germany
sales@beissbarth.com
www.beissbarth.com

Telefon: +49-(0)89-14901-0
Telefax: +49-(0)89-14901-246

Order number 1 693 602 008 **Print norm** BB XXX / XX.XX.2020 DE · Subject to technical and program changes, errors excepted.

