



# BRAKE TESTER PASSENGER CAR - ACCESSORI

Version 2026.04.25 – Prices on request

## Lifting and lowering device | HUS 104 | for BD 4xxx and QB.4 brake tester | 1000mm

*For fully automatic lifting and lowering of the axle in and out of BD 4xxx and QB.4 brake tester with 1000mm rollers*

**Article number: 1691600025**



### **The solution that allows the fully automated lowering and lifting of the axle in and out of the brake tester:**

- Ideal for premium vehicles or cars with low ground clearance
- Easier entry and exit of the roller brake tester
- The automatic lowering and lifting respects all necessary safety requirements

### **Recommended for intensive use in PTI inspection centers:**

- Enables a more fluid, faster and simplified procedure
- Increases the safety of the brake tester
- Increases the longevity of mechanical components (reduces undesired shocks and accelerations of the bench)
- Minimizes the risk of spoiler damage in sports cars
- Fully automated

## Monitor holder 17 - 27"

*Includes only the monitor holder (Monitor not included)*

**Article number: 1693740884**



## PC cabinet Standard | empty

*Moving trolley enables the best arrangement and positioning of all PC components | Empty trolley! To add PC component you can additionally order 1 691 810 743.*

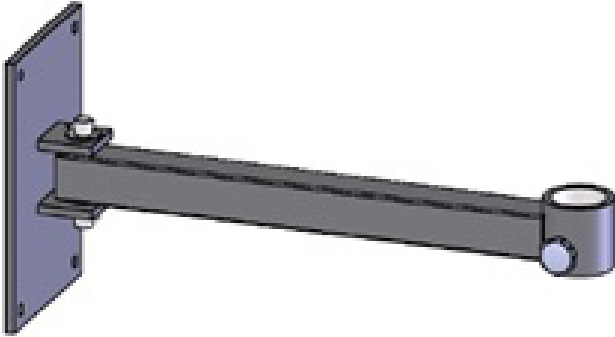
**Article number: 1691811250**



## Swivel arm for TV adapter

Scope of delivery for all analogue displays | Can also be ordered separately to mount the TV monitor on the wall (Additional TV adapter for stand column / swivel arm (item no. 1 691 812 325) required!)

**Article number: 1691601959**



## Cableset 400 V | Power-Box to roller set | 30 m

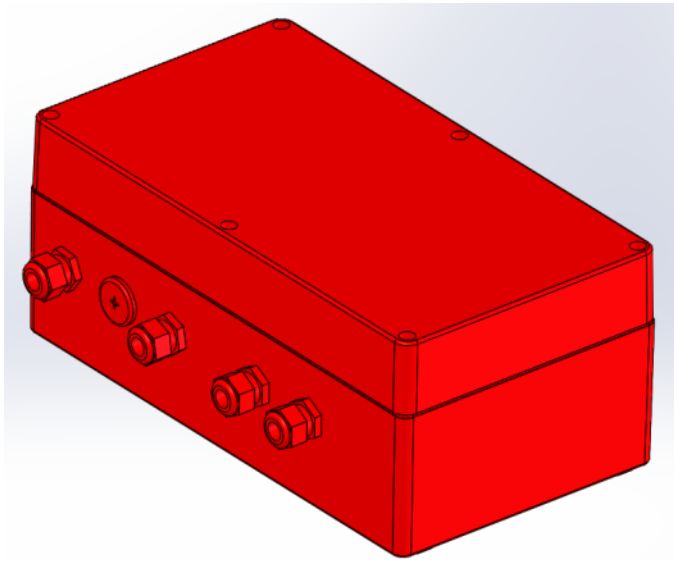
*Extention cable for connecting the Power-Box to roller set*

**Article number: 1691601444**

## Smooth start 400 V

*for smoother start of brake tester operation | for countries using 400 V*

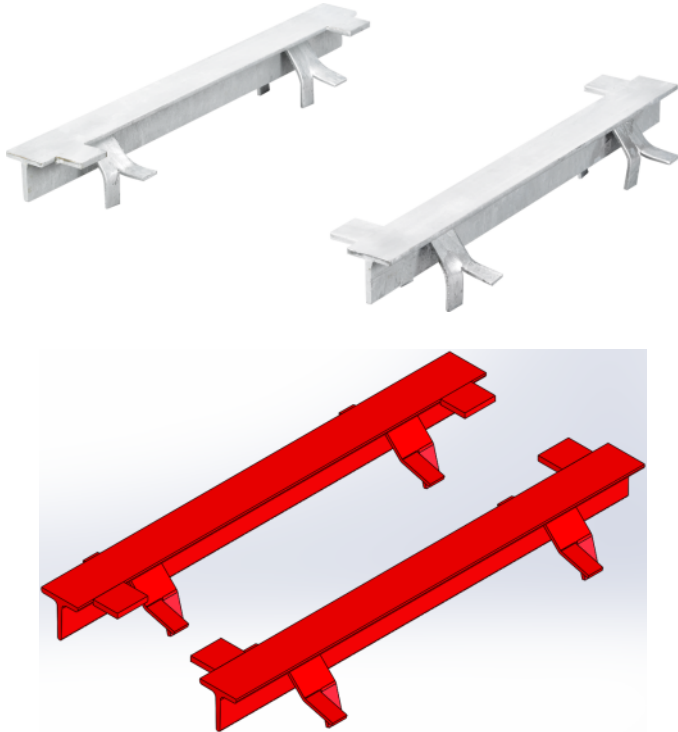
**Article number: 1691601437**



## Support strips for axle load scales | 2 pcs

*This solid support is used to adjust the screws of the axle load weighting sensors. Only required when brake tester is installed without inground frame.*

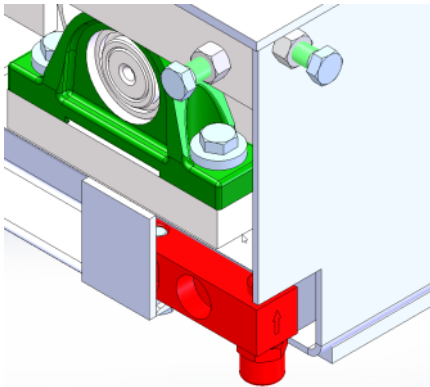
**Article number: 1691601009**



## Axle load scale 4 sensors

4 sensors used to determine vehicle axle load. Additionally requires support strips 1691601009 when brake tester is installed without inground frame.

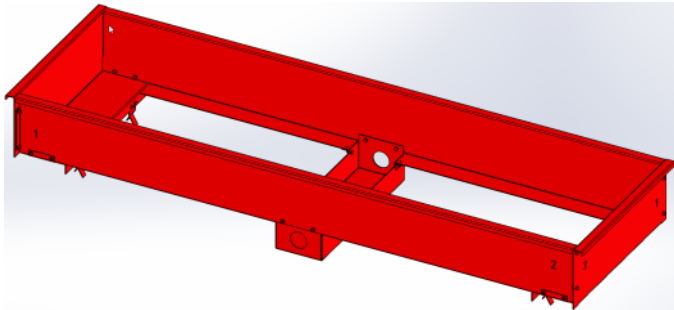
**Article number: 1691601606**



## Installation frame for car brake tester | 700 mm

*Installation frame for single brake tester with 700 mm roller length*

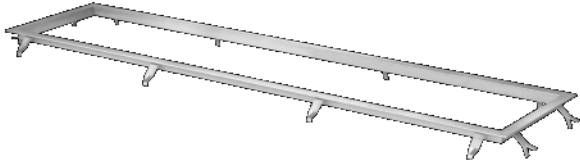
**Article number: 1691602115**



## Edge protection for car brake tester | 1000 mm

*Edge protection for single brake tester with 1000 mm roller length*

**Article number: 1691602151**



## Monitor holder 22 - 35"

*Includes only the monitor holder (Monitor not included)*

**Article number: 1693740911**



## Digital calibration kit for brake tester

*Digital calibration kit with transport suitcase, digital sensor and calibration manual*

**Article number: 1691601392**



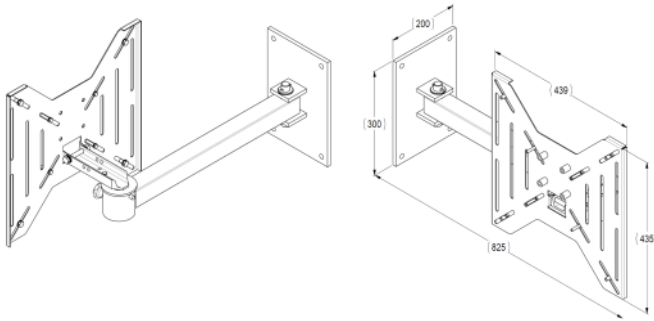
# Edge protection for BD 321 motorbike

Article number: 1691300014

## Wall bracket | VESA 400x400mm

Holds TVs with VESA-mount 400x400mm. Swivable.

**Article number: 1691401107**



## Pedal force meter | QB.4

*Measures pedal force up to 1000N wirelessly via 433Mhz*

**Article number: 1691403101**



Measure pedal force and transmits data wirelessly at 433Mhz. The pedal force meter allows the application of the same pedal force across multiple measurements. This is particularly useful for all-wheel-drive vehicles when left and right wheels are tested individually.

- Measuring range: up to 1,000N
- Resolution: 1N
- Frequency: 433Mhz (8 channels)
- Battery: Rechargeable with 600mAh capacity (12h runtime)
- Dimensions (L x W x H): 106 x 60 x 50mm
- Protection class: IP56
- Temperature range: 0 to 50°C

## TV display kit | QB.4

*Required for displaying the Android app on a TV. Includes power supply unit, remote control and accessories.*

**Article number: 1691403100**



Used for displaying the braking force on a TV. The QB.4 Android app runs on an Android stick that is plugged directly into the TV. The app is operated via a small remote control. This means that any television can be used to display and control the app, without any licenses, activations or intermediate PCs. Includes power supply unit, remote control and accessories.

## Lifting and lowering device | HUS 104 | for BD 4xxx and QB.4 brake tester | 700mm

For fully automatic lifting and lowering of the axle in and out of BD 4xxx and QB.4 brake tester with 700mm rollers

**Article number: 1691600015**



### **The solution that allows the fully automated lowering and lifting of the axle in and out of the brake tester:**

- Ideal for premium vehicles or cars with low ground clearance
- Easier entry and exit of the roller brake tester
- The automatic lowering and lifting respects all necessary safety requirements

### **Recommended for intensive use in PTI inspection centers:**

- Enables a more fluid, faster and simplified procedure
- Increases the safety of the brake tester
- Increases the longevity of mechanical components (reduces undesired shocks and accelerations of the bench)
- Minimizes the risk of spoiler damage in sports cars
- Fully automated

## 4-point scale | retrofit kit for BD 620

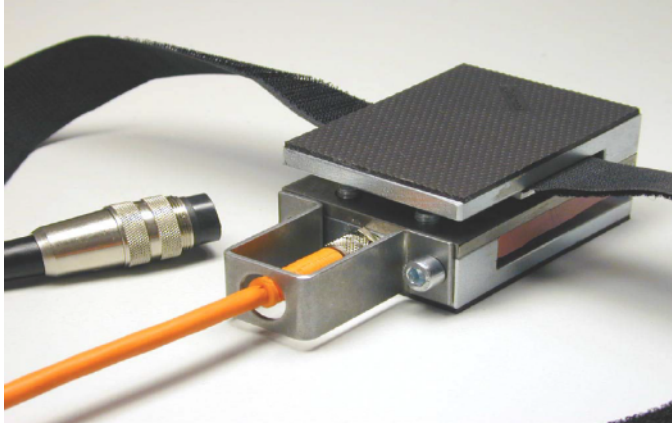
*4-point weight cells as retrofit kit for automatic calculation of axle weight and total deceleration*

**Article number: 1691601057**

## Pedal force sensor | for BD620 | cable version

*Pedal force sensor for BD620 as cable version*

**Article number: 1691601020**



## BNet license key #3 (ASA-Netzwerk)

Article number: 1691708006

## USB-Converter Set Standard | for BD 620

*USB converter set for connection of BD 620 to existing PCs, BNet software incl. printer software, archiving software and order manager.*

**Article number: 1691601028**

## Height spacer for BD 4xxx / QB.4 in combination with SA 640 / SN 680 / QS.4

*Height spacer to place under the brake tester when installed in combination with a EUSAMA suspension tester and the installation frame (P/N 1691602002)*

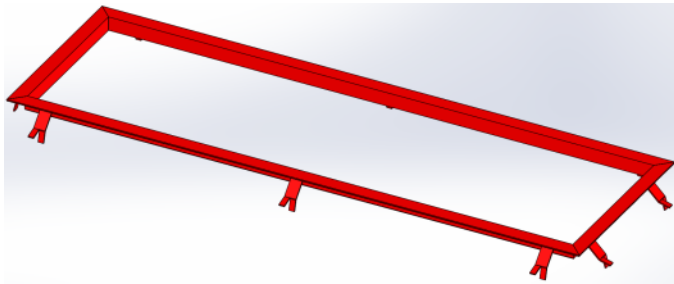
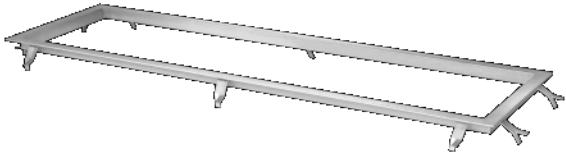
**Article number: 1691601109**

Height spacer to place under the brake tester when installed in combination with a EUSAMA suspension tester and the installation frame (P/N 1691602002)

## Edge protection for car brake tester | 700 mm

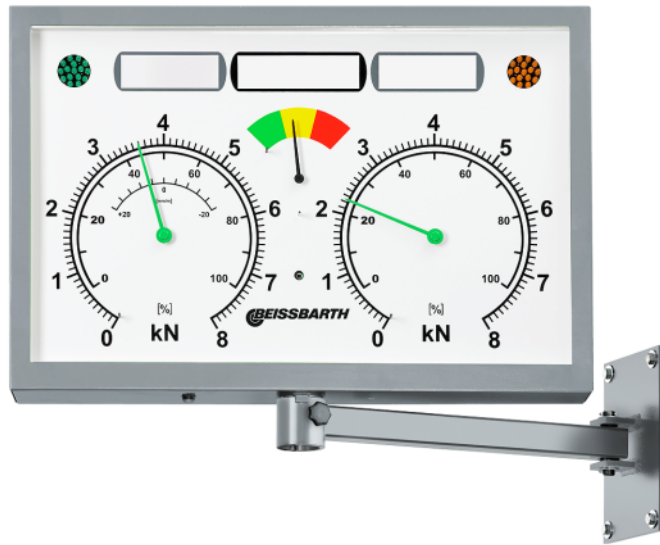
Edge protection for single brake tester with 700 mm roller length

**Article number: 1691602000**



## Display RAL 7040 | analog, rectangular | swivel arm, IR receiver

Article number: 1691601776



## Display RAL 7016 | analog, rectangular | LCD, swivel arm, IR receiver

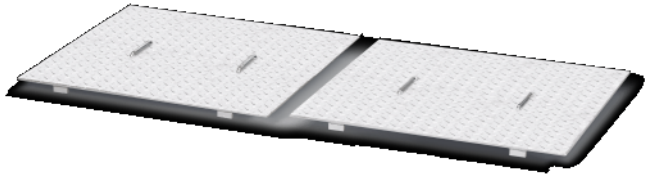
Article number: 1691601762



## Drive-over plate pluggable | 1000 mm

*Pluggable drive-over plate for roller set with 1000 mm (2 pieces)*

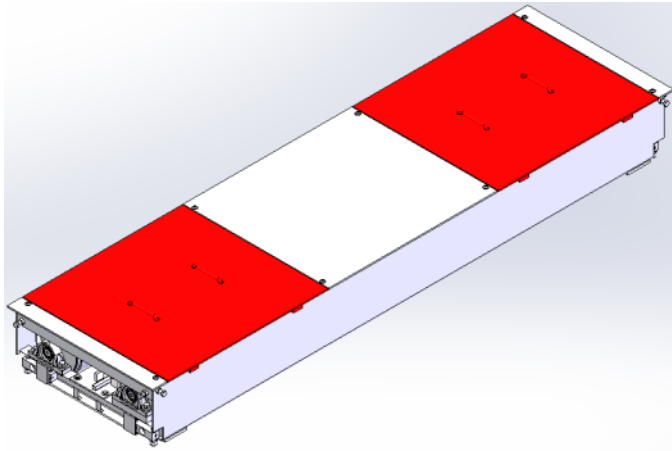
**Article number: 1691602112**



## Drive-over plate pluggable | 700 mm

*Pluggable drive-over plate for roller set with 700 mm (2 pices)*

**Article number: 1691601010**



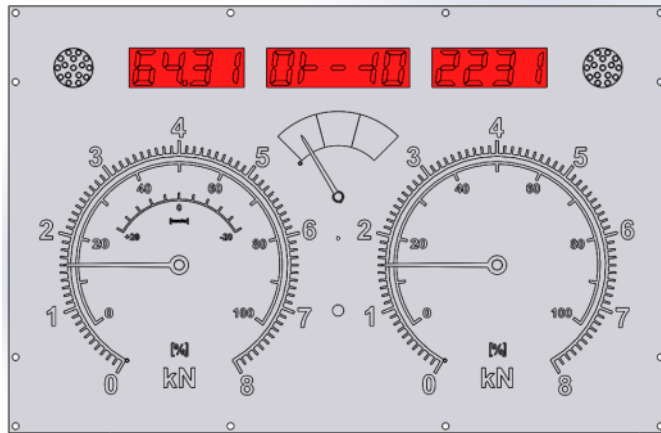
## Pedal force wireless

Article number: 1691601401



## LCD Display set for upgrading analogue displays without an integrated LCD

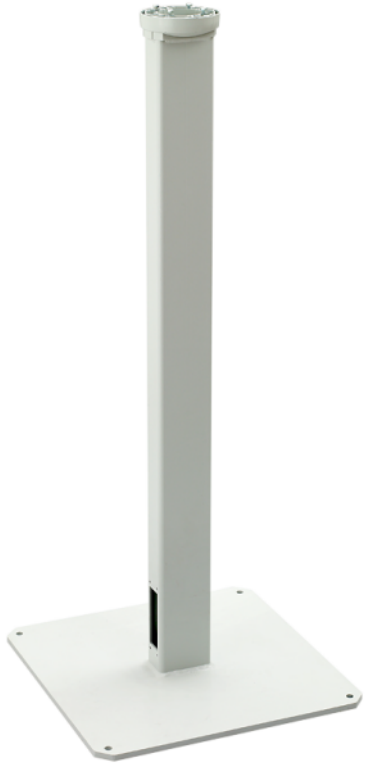
Article number: 1691601025



## Stand column for Power-Box

*Alternative to wall mounting of the Power-Box (included with all brake testers)*

**Article number: 1691601435**



## External PC Kit professional IR

*External PC Kit with USB cable for long distance (standard 5 m, optional up to 50 m), incl. Software, dongle #3, USB box, USB cable, IR receiver, IR remote control*

**Article number: 1691601398**

## Integrated PC Kit Professional IR

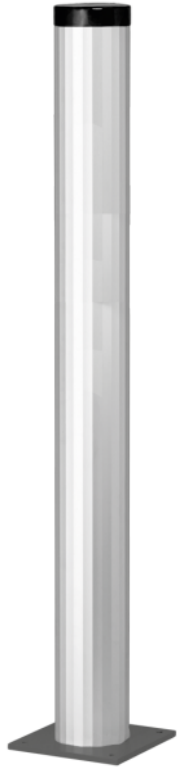
*Integrated PC kit to be build in the Power-Box, direct connection to PC via USB cable (up to ca. 1.5 m) incl. Software, dongle #3, USB board for the Power-Box, USB cable, Bnet cable, IR receiver, IR remote control*

**Article number: 1691601397**

## Stand column aluminium | RAL 7016 | for TV Monitor / rectangular analog display

*Alternative to wall mounting, mounting solution for TV monitors or square analogue displays | TV adapter for stand column / swivel arm (item no. 1 691 810 722) is also required to attach a TV monitor!*

**Article number: 1691810722**



## PC gear pack for PC cabinet Standard

Full PC equipment | incl. PC, monitor, monitor holder, mouse, keyboard and printer

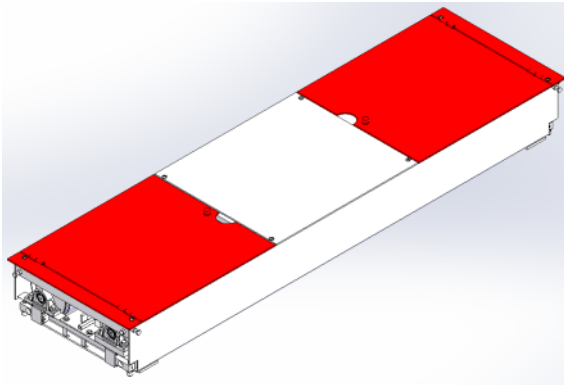
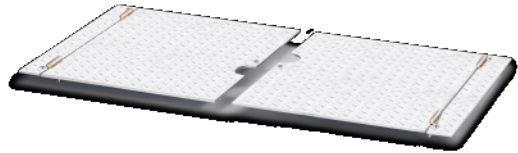
**Article number: 1691810743**



## Drive-over plate swiveling | 700 mm

*Swiveling drive-over plate for roller set with 700 mm (2 pieces)*

**Article number: 1691601011**



## Integrated Iperform PC Kit with ICperform Software License and Tablet App License

Computer interface kit for installation into the new control cabinet, direct connection to the computer via USB cable (up to 1.5 m), USB board for control cabinet, USB cable, ICperform Garage Car Software License and Tablet App License (not for test lane)

**Article number: 1691601964**



## External Iperform PC Kit with Iperform Software License and Tablet App License

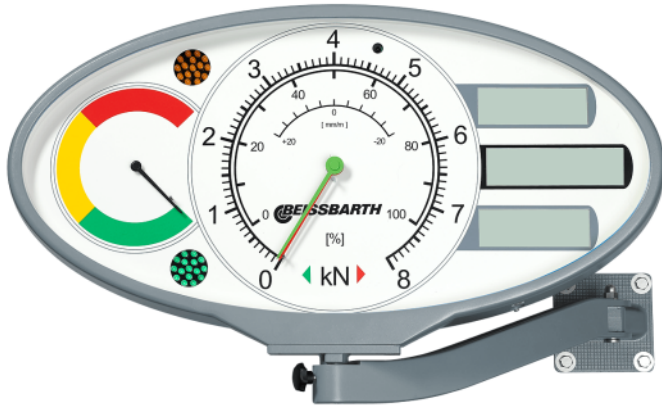
Computer interface kit with BUS cable for larger distances (standard 15 m, optional 30 m), USB box, USB cable, Iperform Garage Car Software License and Tablet App License (not for test lane)

**Article number: 1691601965**



## Display RAL 7040 | analog, oval | swivel arm, IR receiver

Article number: 1691601771



## IR receiver

*Already available in some of SW Kits, but also can be sold separately*

**Article number: 1693770001**



## Remote control

Already available in some of SW Kits, but also can be sold separately | incl. Battery

**Article number: 1691701018**



## Extension cable for receiver | 10 m

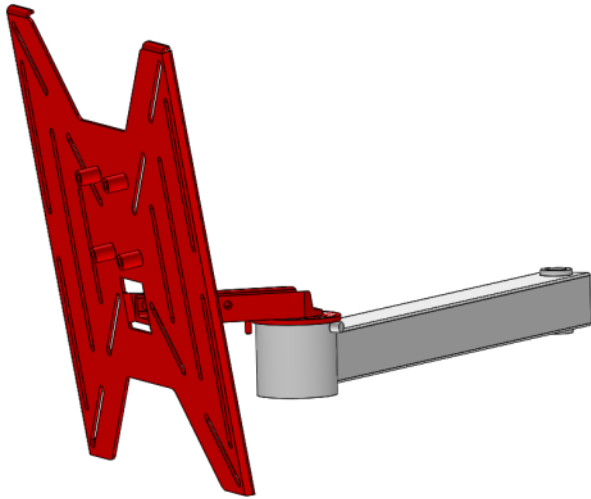
*Enabels flexibility of the IR receiver position (up to 10 m)*

**Article number: 1691603000**

## TV adapter for stand column / swivel arm

*TV mount for wall mounting on the swivel arm (item no. 1 691 601 959) or for floor mounting with stand column (item no. 1 691 810 722)*

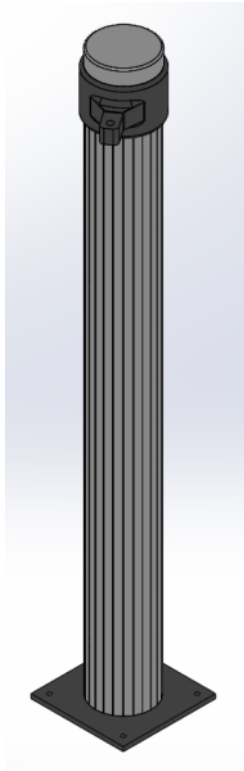
**Article number: 1691812325**



## Stand column RAL 7040 | for TV Monitor / oval analog display

*Alternative to wall mounting, mounting solution for TV monitors or oval analogue displays*

**Article number: 1691600470**



## Remote control and IR Receiver

*incl. Battery*

**Article number: 1691701311**



## External Iperform PC kit with IR remote control and Iperform Software License

PC connection kit with BUS Cable for long distances (standard 15 m, optional 30 m), USB-Box, USB cable, Remote control, ICperform Garage Car Software License (not for test lane) | Prerequisite: serial PC interface (COM) for the operation of the receiver

**Article number: 1691601966**



## Integrated Iperform PC kit - IR with IR remote control and ICperform Software License

Computer interface kit for installation into the new control cabinet, direct connection to the computer via USB cable (up to 1.5 m), USB board for control cabinet, USB cable, remote control and receiver, Iperform Garage Car Software License (not for test lane) | Prerequisite: serial PC interface (COM) for the operation of the receiver

**Article number: 1691601963**



## PC For Test Lanes

Windows 10 IoT Enterprise LTSC 2021, 2x RS232, 8x USB, VGA, HDMI, 2x Display Port, LAN, 350Watt, Intel Pentium Gold G7400, 8GB DDR5-RAM, 512GB SSD

**Article number: 1691810703**



### System requirements when using your separate PC:

- Operating System: Windows 10, Windows 11 Professional
- Processor: Minimum Intel Pentium, 12th generation, 3 GHz
- Memory (RAM): Minimum 8 GB DDR5
- Storage: Minimum 512 GB SSD
- USB Ports: Minimum 6x
- Serial Port: Optional 1x (when using the infrared remote control)
- LAN Port: Minimum 1x

## Brake Tester Passenger Car - Accessories



**Lifting and lowering device | HUS 104 | for BD 4xxx and QB.4 brake tester | 1000mm**  
Article number: 1691600025



**Monitor holder 17 - 27"**  
Article number: 1693740884

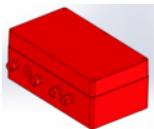


**PC cabinet Standard | empty**  
Article number: 1691811250



**Swivel arm for TV adapter**  
Article number: 1691601959

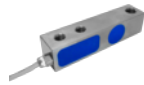
**Cables set 400 V | Power-Box to roller set | 30 m**  
Article number: 1691601444



**Smooth start 400 V**  
Article number: 1691601437



**Support strips for axle load scales | 2 pcs**  
Article number: 1691601009



**Axle load scale 4 sensors**  
Article number: 1691601606



**Installation frame for car brake tester | 700 mm**  
Article number: 1691602115



**Edge protection for car brake tester | 1000 mm**  
Article number: 1691602151



**Monitor holder 22 - 35"**  
Article number: 1693740911



**Digital calibration kit for brake tester**  
Article number: 1691601392

**Edge protection for BD 321 motorbike**  
Article number: 1691300014



**Wall bracket | VESA 400x400mm**  
Article number: 1691401107



**Pedal force meter | QB.4**  
Article number: 1691403101



**TV display kit | QB.4**  
Article number: 1691403100



**Lifting and lowering device | HUS 104 | for BD 4xxx and QB.4 brake tester | 700mm**  
Article number: 1691600015

**4-point scale | retrofit kit for BD 620**  
Article number: 1691601057



**Pedal force sensor | for BD620 | cable version**  
Article number: 1691601020

**BNet license key #3 (ASA-Netzwerk)**  
Article number: 1691708006

**USB-Converter Set Standard | for BD 620**  
Article number: 1691601028

**Height spacer for BD 4xxx / QB.4 in combination with SA 640 / SN 680 / QS.4**  
Article number: 1691601109



**Edge protection for car brake tester | 700 mm**  
Article number: 1691602000



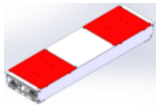
**Display RAL 7040 | analog, rectangular | swivel arm, IR receiver**  
Article number: 1691601776



**Display RAL 7016 | analog, rectangular | LCD, swivel arm, IR receiver**  
Article number: 1691601762



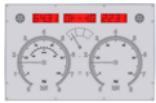
**Drive-over plate pluggable | 1000 mm**  
Article number: 1691602112



**Drive-over plate pluggable | 700 mm**  
Article number: 1691601010



**Pedal force wireless**  
Article number: 1691601401



**LCD Display set for upgrading analogue displays without an integrated LCD**  
Article number: 1691601025



**Stand column for Power-Box**  
Article number: 1691601435

**External PC Kit professional IR**  
Article number: 1691601398

**Integrated PC Kit Professional IR**  
Article number: 1691601397



**Stand column aluminium | RAL 7016 | for TV Monitor / rectangular analog display**  
Article number: 1691810722



**PC gear pack for PC cabinet Standard**  
Article number: 1691810743



**Drive-over plate swiveling | 700 mm**  
Article number: 1691601011



**Integrated Icperform PC Kit with ICperform Software License and Tablet App License**  
Article number: 1691601964



**External Icperform PC Kit with Icperform Software License and Tablet App License**  
Article number: 1691601965



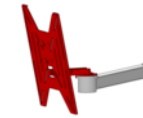
**Display RAL 7040 | analog, oval | swivel arm, IR receiver**  
Article number: 1691601771



**IR receiver**  
Article number: 1693770001



**Remote control**  
Article number: 1691701018



**Extension cable for receiver | 10 m**  
Article number: 1691603000



**Stand column RAL 7040 | for TV Monitor / oval analog display**  
Article number: 1691600470



**Remote control and IR Receiver**  
Article number: 1691701311



**External Icperform PC kit with IR remote control and Icperform Software License**  
Article number: 1691601966



**Integrated Icperform PC kit - IR with IR remote control and ICperform Software License**  
Article number: 1691601963



**PC For Test Lanes**  
Article number: 1691810703

# IMPORTANT NOTES

- Please notice: This list contains spare parts, too.
- Without instruction or assembly.
- Delivery ex works including packaging.

## VERSION 2026.04.25 – PRICES ON REQUEST

- Starting from now all previous lists will lose their validity.
- Please read our general terms and conditions in the latest version before ordering; to be found under [www.beissbarth.com](http://www.beissbarth.com).

**Order number** 1 693 602 008 **Print norm** BB XXX / XX.XX.2020 DE · Subject to technical and program changes, errors excepted.

### Beissbarth Automotive Testing Solutions GmbH

Friedrichshafener Str. 602  
82205 Gilching, Germany  
[sales@beissbarth.com](mailto:sales@beissbarth.com)  
[www.beissbarth.com](http://www.beissbarth.com)

Telefon: +49-(0)89-14901-0

Telefax: +49-(0)89-14901-246

