

Dialogannahme

ADAS CALIBRATION

Version 2026.05.12 – Prices on request

Q.DAS Standard | ADAS Calibration after wheel alignments

Modular solution for ADAS calibration of forward-facing and safety-critical radar, camera, and LIDAR systems. Standard version for workshops with low to medium calibration volumes.

Article number: 8900380010



Q.DAS: OEM-compliant ADAS calibration in combination with wheel alignment

Q.DAS is a modular solution for the calibration of forward-facing, safety-relevant radar, camera and LIDAR systems. Configure your system depending on the volume, budget and available space.

Q.DAS Standard:

- Safety-relevant driver assistance systems: Radar and camera
- Vehicle class: Cars
- Calibration volume in the workshop: low to medium
- Height adjustment: Motorized up to 1700 mm
- Works with all camera calibration targets: Yes
- Supports eTargets: Yes
- Distance adjustment without re-leveling: 200 mm
- Center offset adjustment without re-leveling: 200 mm

Advantages of the Q.DAS system:

1. Digital instead of analog:

- Camera-based positioning via live display
- No Plumb Bobs or measuring tapes
- Full control over entire calibration
- Direct specs instead of manual value transfer*

2. Wheel alignment and ADAS calibration as one process

- No retooling
- No moving of measuring devices
- Permanently ready for use
- Guided instructions for setup and positioning
- Automatic compensation of different installation heights
- Meets highest accuracy requirements of OEMs

3. Modular calibration solution for every workshop

- Free choice of calibration targets and radar mirrors
- Configuration according to calibration volume, budget and space conditions
- No fixed commitment to only one diagnostic tester
- Integrated X-Y slider minimizes leveling
- Motorized height adjustment

Just a few steps to the right system for ADAS calibration

Scope of deliveries:

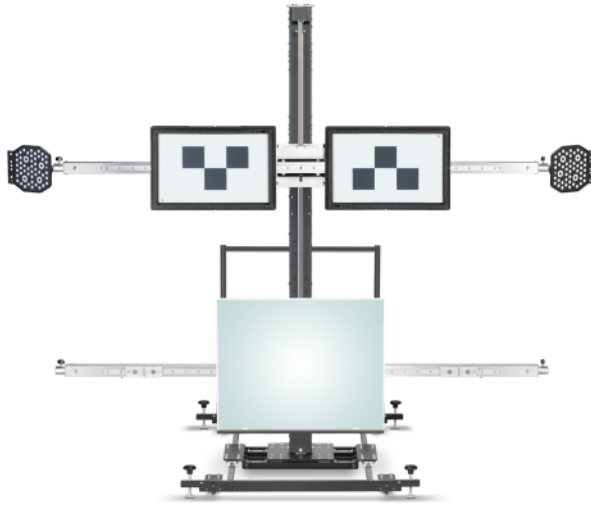
- 1x Modular Q.DAS frame, without targets or radar mirrors
- 1x Q.mApp software (Android) and license for activation (1 year)
- 1x Digital Bluetooth laser distance gauge

*Costs apply: Requires active Q.mApp license in combination with Q.Lign wheel aligner

Q.DAS Pro | ADAS Calibration after wheel alignments

Modular solution for ADAS calibration of forward-facing and safety-critical radar, camera, and LIDAR systems. Pro version for workshops with high calibration volumes.

Article number: 8900380012



Q.DAS: OEM-compliant ADAS calibration in combination with wheel alignment

Q.DAS is a modular solution for the calibration of forward-facing, safety-relevant radar, camera and LIDAR systems. Configure your system depending on the volume, budget and available space.

Q.DAS Pro:

- Safety-relevant driver assistance systems: Radar and camera
- Vehicle class: Cars and light commercial vehicles
- Calibration volume in the workshop: high
- Height adjustment: Motorized up to 2050 mm
- Works with all camera calibration targets: Yes
- Supports eTargets: Yes
- Distance adjustment without re-leveling: 900 mm
- Center offset adjustment without re-leveling: 200 mm

Advantages of the Q.DAS system:

1. Digital instead of analog:

- Camera-based positioning via live display
- No Plumb Bobs or measuring tapes
- Full control over entire calibration
- Direct specs instead of manual value transfer*

2. Wheel alignment and ADAS calibration as one process

- No retooling
- No moving of measuring devices
- Permanently ready for use
- Guided instructions for setup and positioning
- Automatic compensation of different installation heights
- Meets highest accuracy requirements of OEMs

3. Modular calibration solution for every workshop

- Free choice of calibration targets and radar mirrors
- Configuration according to calibration volume, budget and space conditions
- No fixed commitment to only one diagnostic tester
- Integrated X-Y slider minimizes leveling
- Motorized height adjustment

Just a few steps to the right system for ADAS calibration

Scope of deliveries:

- 1x Modular Q.DAS frame, without targets or radar mirrors
- 1x Q.mApp software (Android) and license for activation (1 year)
- 1x Digital Bluetooth laser distance gauge

*Costs apply: Requires active Q.mApp license in combination with Q.Lign wheel aligner

Q.DAS Standard | 110V Version

Modular solution for ADAS calibration of forward-facing and safety-critical radar, camera, and LIDAR systems. Standard version for workshops with low to medium calibration volumes.

Article number: 8900380020



Q.DAS: OEM-compliant ADAS calibration in combination with wheel alignment

Q.DAS is a modular solution for the calibration of forward-facing, safety-relevant radar, camera and LIDAR systems. Configure your system depending on the volume, budget and available space.

Q.DAS Standard:

- Safety-relevant driver assistance systems: Radar and camera
- Vehicle class: Cars
- Calibration volume in the workshop: low to medium
- Height adjustment: Motorized up to 1700 mm
- Works with all camera calibration targets: Yes
- Supports eTargets: Yes
- Distance adjustment without re-leveling: 200 mm
- Center offset adjustment without re-leveling: 200 mm

Advantages of the Q.DAS system:

1. Digital instead of analog:

- Camera-based positioning via live display
- No Plumb Bobs or measuring tapes
- Full control over entire calibration
- Direct specs instead of manual value transfer*

2. Wheel alignment and ADAS calibration as one process

- No retooling
- No moving of measuring devices
- Permanently ready for use
- Guided instructions for setup and positioning
- Automatic compensation of different installation heights
- Meets highest accuracy requirements of OEMs

3. Modular calibration solution for every workshop

- Free choice of calibration targets and radar mirrors
- Configuration according to calibration volume, budget and space conditions
- No fixed commitment to only one diagnostic tester
- Integrated X-Y slider minimizes leveling
- Motorized height adjustment

Just a few steps to the right system for ADAS calibration

Scope of deliveries:

- 1x Modular Q.DAS frame, without targets or radar mirrors
- 1x Q.mApp software (Android) and license for activation (1 year)

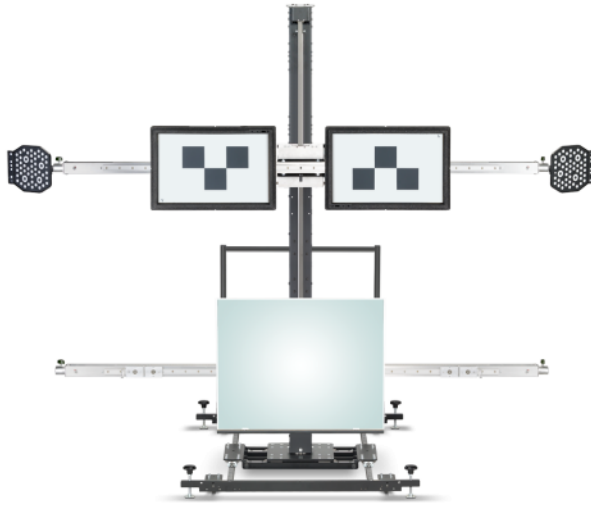
*Costs apply: Requires active Q.mApp license in combination with Q.Lign wheel aligner

US/JP Version with 110V

Q.DAS Pro | 110V

Modular solution for ADAS calibration of forward-facing and safety-critical radar, camera, and LIDAR systems. Pro version for workshops with high calibration volumes.

Article number: 8900380022



Q.DAS: OEM-compliant ADAS calibration in combination with wheel alignment. Q.DAS is a modular solution for the calibration of forward-facing, safety-relevant radar, camera and LIDAR systems. Configure your system depending on the volume, budget and available space. Q.DAS Pro:

- Safety-relevant driver assistance systems: Radar and camera
- Vehicle class: Cars and light commercial vehicles
- Calibration volume in the workshop: high
- Height adjustment: Motorized up to 2050 mm
- Works with all camera calibration targets: Yes
- Supports eTargets: Yes
- Distance adjustment without re-leveling: 900 mm
- Center offset adjustment without re-leveling: 200 mm

Advantages of the Q.DAS system:

1. Digital instead of analog:

- Camera-based positioning via live display
- No Plumb Bobs or measuring tapes
- Full control over entire calibration
- Direct specs instead of manual value transfer*

2. Wheel alignment and ADAS calibration as one process

- No retooling
- No moving of measuring devices
- Permanently ready for use
- Guided instructions for setup and positioning
- Automatic compensation of different installation heights
- Meets highest accuracy requirements of OEMs

3. Modular calibration solution for every workshop

- Free choice of calibration targets and radar mirrors
- Configuration according to calibration volume, budget and

space conditions

- No fixed commitment to only one diagnostic tester
- Integrated X-Y slider minimizes leveling
- Motorized height adjustment

Just a few steps to the right system for ADAS calibration

Scope of deliveries:

- 1x Modular Q.DAS frame, without targets or radar mirrors
- 1x Q.mApp software (Android) and license for activation (1 year)

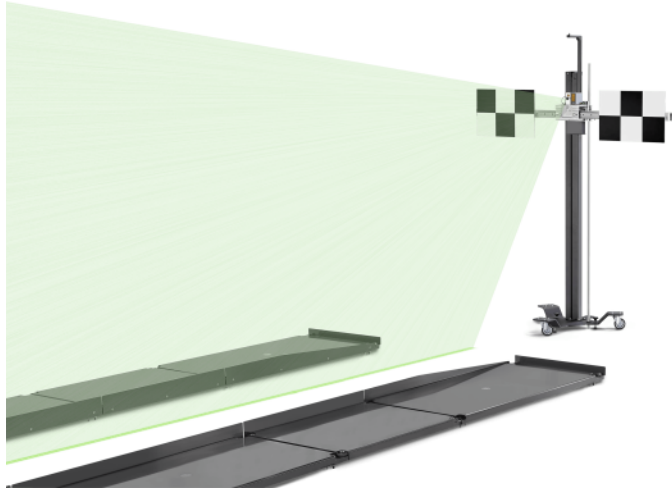
*Costs apply: Requires active Q.mApp license in combination with Q.Lign wheel aligner

US/JP Version with 110V

BBFAS 415

Beissbarth BB FAS 415 - the flexible front camera calibration device for multi-brand system solutions

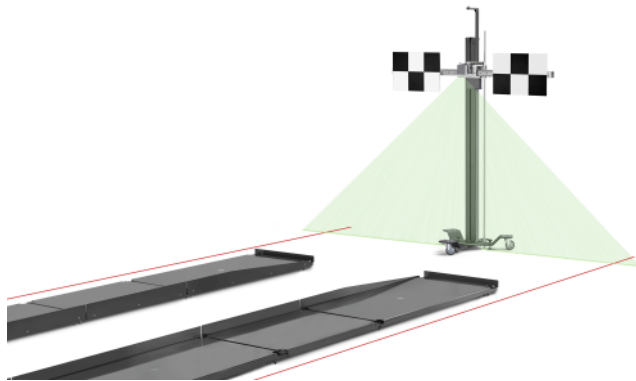
Article number: 8900380008



Front camera calibration with BBFAS 415 calibration device: Flexible, easy and precise

- static calibration of cameras e.g. Lane departure cameras, multifunction cameras
- Wide vehicle coverage through optional calibration Targets
- Fast, easy alignment to the vehicle's symmetrical axis or on to ground markings
- Alignment on to the vehicles track-width with optional accessories possible at any time
- Horizontal levelling according to precision spirit levels via three height-adjustable feet
- Precision crossbeam with slidingplate and fine adjusting screw
- Magnetic holding fixture for multi-brand calibration plates
- High power line laser module with low laser class (1M). Green laser diodes are particularly well visible to the human eye because the eye has its maximum spectral sensitivity in the green range.
- Optional: Compact storage box for modular calibration boards

Note: For adjusting the driver assistance systems, an OBD diagnostic device is also required



P-Assist

Article number: 8900381138



- P-Assist wheel stands: Front and rear wheel stands for P-Assist laser alignment system for alignment to wheel-track.

Positioning target

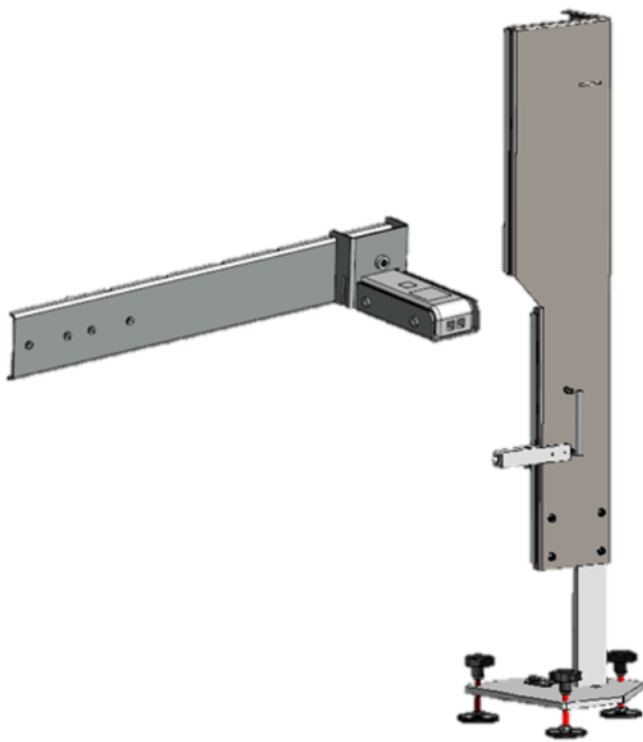
Article number: 8900381292



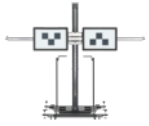
- Target panel for roof antennas for alignment with the vehicle's longitudinal axis

Distance measurement laser for BB FAS 415

Article number: 8900381005



Q.DAS



Q.DAS Standard | ADAS Calibration after wheel alignments

Article number: 8900380010



Q.DAS Pro | ADAS Calibration after wheel alignments

Article number: 8900380012



Q.DAS Standard | 110V Version

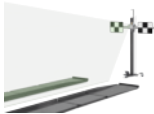
Article number: 8900380020



Q.DAS Pro | 110V

Article number: 8900380022

Without Wheel Aligner



BBFAS 415

Article number: 8900380008



P-Assist

Article number: 8900381138



Positioning target

Article number: 8900381292



Distance measurement laser for BB FAS 415

Article number: 8900381005

IMPORTANT NOTES

- Please notice: This list contains spare parts, too.
- Without instruction or assembly.
- Delivery ex works including packaging.

VERSION 2026.05.12 – PRICES ON REQUEST

- Starting from now all previous lists will lose their validity.
- Please read our general terms and conditions in the latest version before ordering; to be found under www.beissbarth.com.

Order number 1 693 602 008 **Print norm** BB XXX / XX.XX.2020 DE · Subject to technical and program changes, errors excepted.

Beissbarth Automotive Testing Solutions GmbH

Friedrichshafener Str. 602
82205 Gilching, Germany
sales@beissbarth.com
www.beissbarth.com

Telefon: +49-(0)89-14901-0
Telefax: +49-(0)89-14901-246

